



NEW PRODUCTS

V-1CC-0508

New 14" Large Diameter PVC & CPVC Butterfly Valves



Spears® Butterfly Valves featuring patented seat design to eliminate seat creep, reduce operating torque and provide positive seal-off are now available in PVC or CPVC sizes through 14". Designed for flow control or throttling, this high-performance valve is offered with a full variety of features and options giving the application versatility that Spears® valves are known for.

Features

- Corrosion resistant PVC or CPVC Construction
- Special off-set Disc with field replaceable, Patented Limited Contact Seat design to eliminate seat creep, extrusion and wear.
- EPDM or Viton® Seat & Seals
- Solid Type 316L Stainless Steel Stem, fully isolated from process fluids
- High Efficiency Gear Operator with Cast Aluminum Housing, Polypropylene Handwheel, and Built-in Position Indicator
- Pressure rated to 100 psi for water @ 73°F, including Dead-End Service
- ANSI/ASME B16.5 Class 150 Bolt Pattern

Optional Accessories

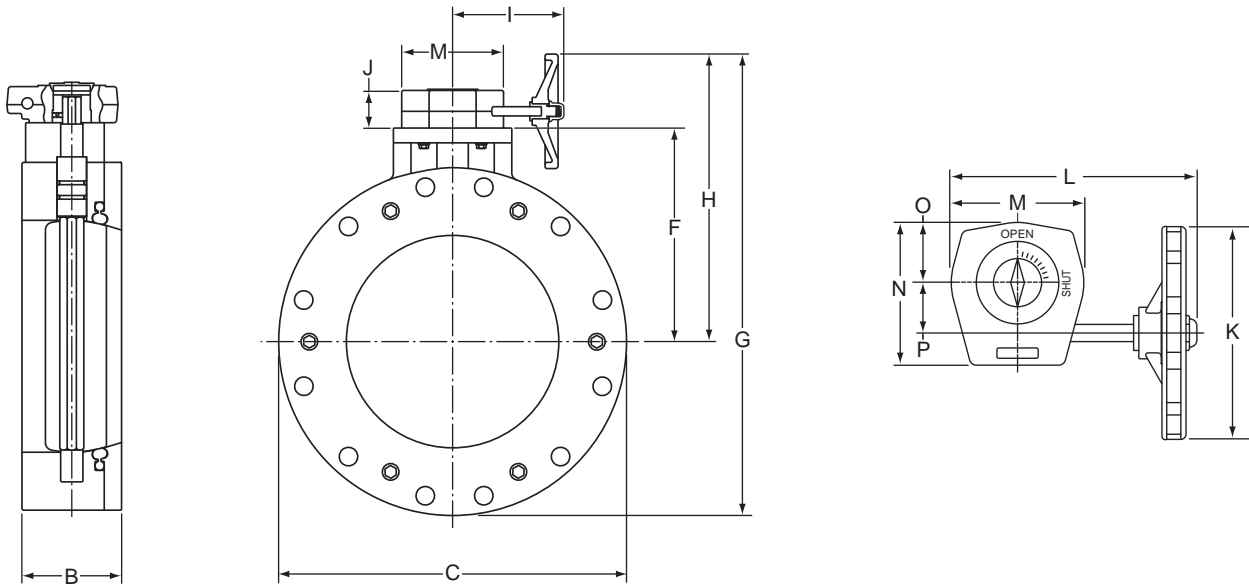
- Teflon® Coated Stem
- Stem Extension Kit
- Speed Handle
- 2" Square/T-Style Operator
- Chainwheel Operator Kit
- Positive Stem Stop
- Submersible Gear Operators
- Pneumatic or Electric Mechanical Actuation Available

PVC - Gear Operator

Size	EPDM Seat	Viton® Seat	Std Pk	Mstr Pk	Disc Code
14	722321-140 5089.00	723321-140 12367.00	1	0	251

CPVC - Gear Operator

Size	EPDM Seat	Viton® Seat	Std Pk	Mstr Pk	Disc Code
14	722321-140C 6964.10	723321-140C 16923.40	1	0	253



Dimensions

Nominal Size	Pressure Rating ¹ (psi)	B	C	F	G	H	I	J	K	L	M	N	O	P
14	100 ²	6-1/4	21	13-3/16	29	18-1/2	7-3/8	2-9/16	8	10-13/16	6-7/8	7-7/16	3-1/8	3

1: Maximum Internal Pressure Rating @ 73°F

2: Additional pressure rating is possible with attention to flow direction.

NOT FOR USE WITH COMPRESSED AIR OR GAS

Prices subject to change without notice. Possession of this price schedule shall not be construed as an offer to sell the products listed.

Product drawing(s) & photo(s) are representative and may not fully reflect product configuration.

Progressive Products From Spears® Innovation & Technology



SPEARS® MANUFACTURING COMPANY
 Corporate Office
 15853 Olden Street • Sylmar, CA 91342
 PO Box 9203 • Sylmar, CA 91392
 (818) 364-1611 • <http://www.spearsmfg.com>

