

Fig. 1F — Felt Lined Standard Clevis Hanger

Fig. 1PVC — PVC Coated Standard Clevis Hanger



Size Range — Size 1/2" thru 8" pipe.

Material — Carbon Steel

Insulation Material — 3/16" felt

Function — The Fig. 1F is designed for the suspension of copper tube so as to prevent electrolysis between tube and hanger. The Fig. 1PVC is designed for steel or other pipe types of same O.D. Both Fig. 1F and Fig. 1PVC act to reduce noise and vibration in pipe or tube system.

Approvals — Underwriters' Laboratories Listed in the USA (UL) and Canada (cUL).

Maximum Temperature — 650°F

Finish — Plain

Note — When Fig. 1F is used for steel or other pipe types, consult factory for proper size hanger. Available in Electro-Galvanized and HDG finish or Stainless Steel.

Order By — Figure number, nominal tube size and finish

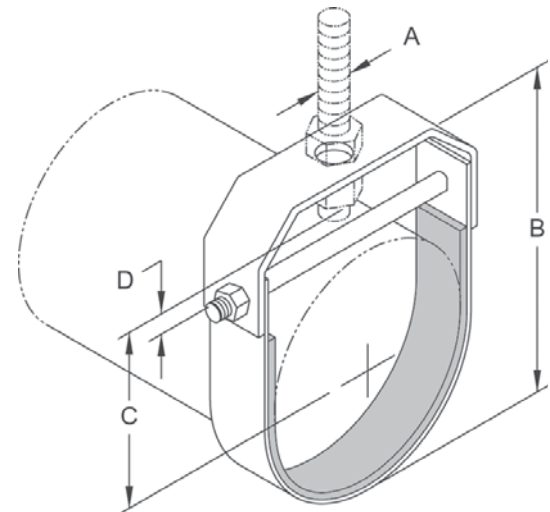


Fig. 1F

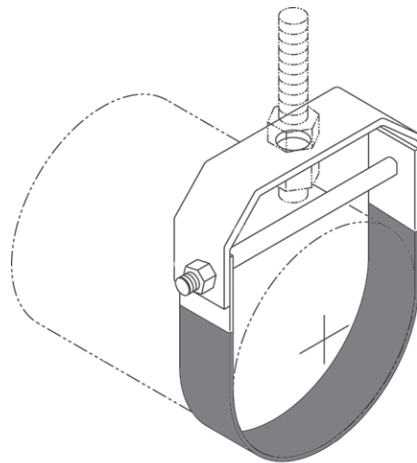


Fig. 1PVC

Dimensions • Weights

Pipe Size	Rod Size A		B	C	D	Max. Rec. Load Lbs.	Approx. Wt./100
	STD	NFPA					
1/2	3/8	3/8	27/8	1	1	610	36
3/4	3/8	3/8	31/16	111/16	1	610	38
1	3/8	3/8	33/8	17/8	1	610	43
1¼	3/8	3/8	3¾	21/16	1	610	47
1½	3/8	3/8	41/16	23/16	1	610	50
2	3/8	3/8	4½	29/16	1	610	56
2½	1/2	3/8	5½	31/16	1	1130	125
3	1/2	3/8	61/8	35/16	1¼	1130	141
3½	1/2	3/8	6¾	39/16	1¼	1130	153
4	5/8	3/8	75/8	41/16	1½	1430	191
5	5/8	1/2	87/8	51/16	1½	1430	236
6	3/4	1/2	10	55/16	1½	1940	318
8	3/4	1/2	12¾	615/16	2	2000	429