

Fig. 313 - Adjustable Pipe Support with U-Bolt

Size Range — Size 2" thru 12" pipe

Material — Carbon Steel

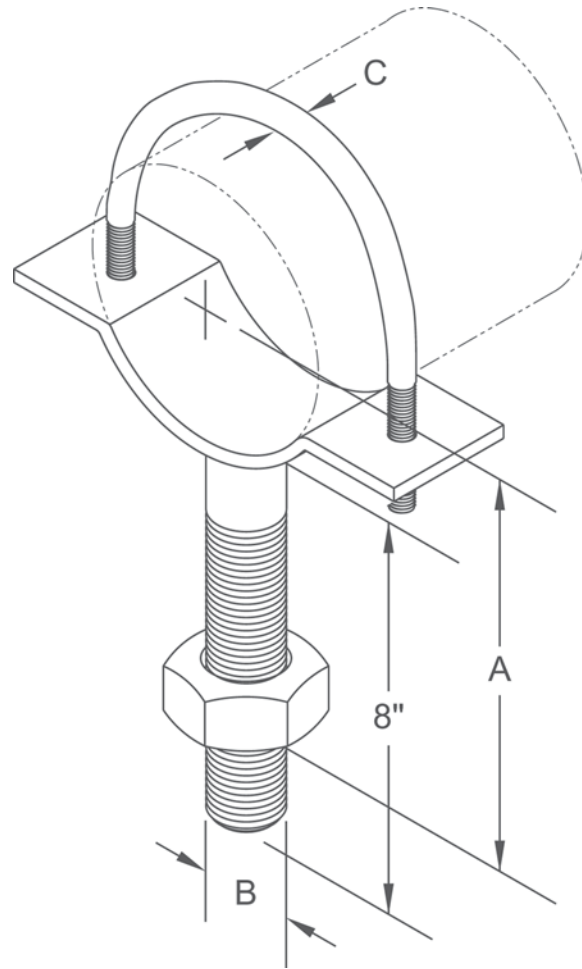
Function — Designed to support horizontal pipe from floor stanchion where vertical adjustment is required. U-bolt and hex nuts are provided to hold pipe securely to saddle.

Maximum Temperature — 650°F

Finish — Plain

Note — Available in Electro-Galvanized and HDG finish or Stainless Steel materials.

Order By — Figure number, pipe size and finish



Dimensions • Weights

Pipe Size	Max. O.D. Pipe	Min. A	Max. A	B	C	Use with Fig. 316 Stand Pipe Size	Approx. Wt./100
2	2 ³ / ₈	2 ³ / ₄	6	7/8	3/8	1	210
2½	2 ⁷ / ₈	3¼	6½	7/8	3/8	1	219
3	4	3½	6¾	7/8	1/2	1	240
3½	4	3½	6¾	7/8	1/2	1	240
4	4 ⁷ / ₈	4¼	7½	1	1/2	1	340
5	5 ⁵ / ₈	4½	7¾	1	1/2	1	360
6	7	5 ⁵ / ₈	8 ³ / ₈	1¼	5/8	1¼	580
8	9 ¹ / ₈	6¾	9½	1¼	5/8	1¼	640
10	11 ¹ / ₈	8	10	1¼	3/4	1¼	1060
12	13½	9¼	11¼	1¼	7/8	1¼	1060