

SB6 – Sanitary Clamp End Ball Valves
Food, Beverage, Cosmetics, Flavorings and Fragrances

Design Features

SIZE RANGE: ½" to 4"

- Three-piece investment cast stainless steel (CF8M-ASTM A351)
- 20 Ra internal polish
- TFM seats and PTFE seals (FDA CFR Title 21 Part 177)
- Sanitary clamp ends for easy valve removal
- Swing out design allows for simple cleaning and maintenance
- Blow out proof stem
- Features SVF's "Tube-ID" flow path for drainability
- Locking Device helps prevent accidental operation
- All materials comply with applicable ASTM material specifications and FDA, USDA and **3A** requirements
- Material Test Reports available upon request



**Silicon-Free
Design**

Silicon-Free Design: In addition to full compliance to the Food & Beverage Industry requirements, the Silicon-Free design meets the requirements of the **Automotive Paint Industry**

SPECIFICATIONS

Service:
Compatible liquids and gases

Body: 3-Piece, Swing-Out

Line Size: ½" to 4" ("Tube-ID" Design)

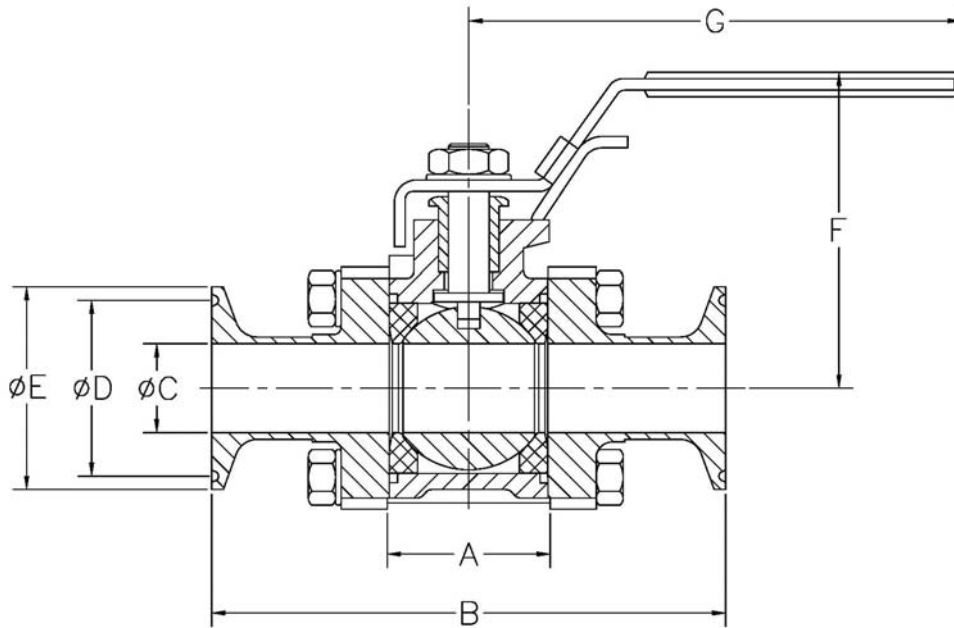
End Connections: Sanitary Clamp

All materials are **3A** compliant

Pressure Limits: 1000 psi (69 bar) WOG
(See Chart)

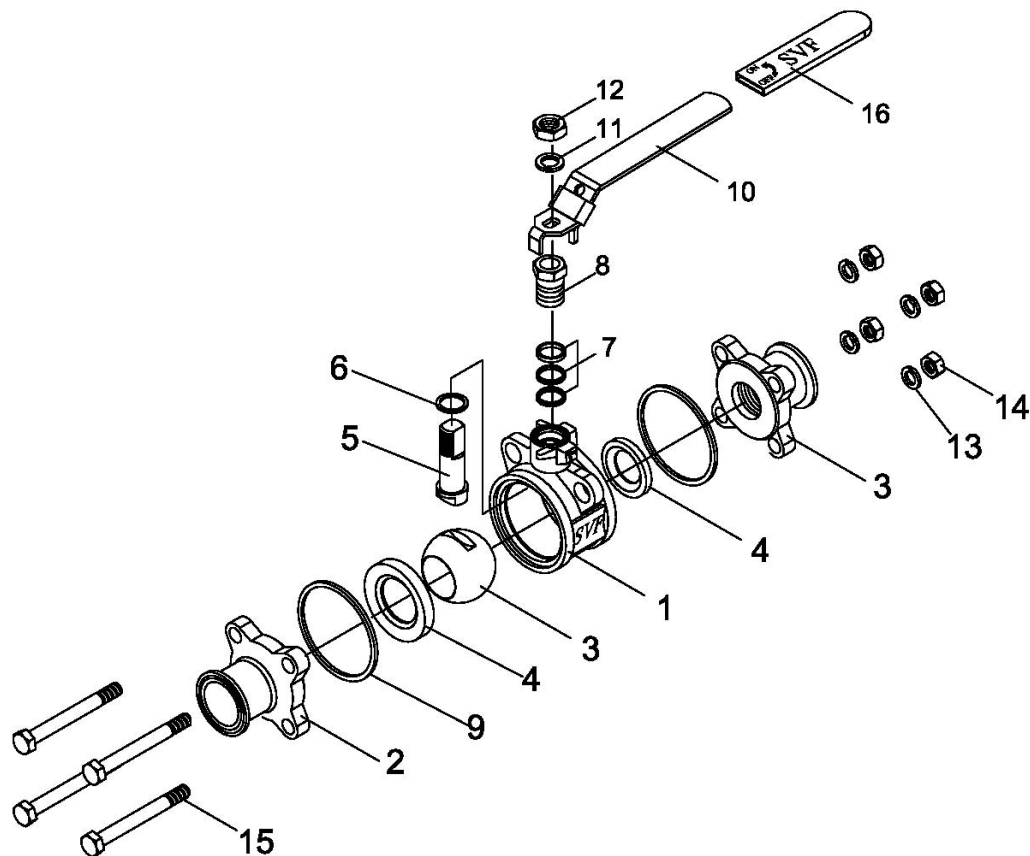
Wetted Materials:
Body, Ball, Stem, Ends – (316 SS CF8M)
Seats, Seals: TFM, PTFE

Temperature Limits:
-40 to 450°F (-40 to 232°C) CWP.
Steam: 297°F (147°C)

Valve Dimensions (in.)


Dimensions (ins.)

SIZE	A	B	C	D	E	F	G
1/2"	0.87	3.50	0.37	0.80	0.99	1.90	4.10
3/4"	1.00	3.99	0.62	0.80	0.99	2.10	4.90
1"	1.36	4.50	0.87	1.72	1.98	2.50	5.70
1 1/2"	1.97	5.50	1.37	1.72	1.98	3.00	7.50
2"	2.48	6.24	1.87	2.22	2.52	3.40	7.50
2 1/2"	3.10	6.74	2.37	2.78	3.05	5.30	9.80
3"	3.64	7.00	2.87	3.28	3.58	5.70	9.80
4"	4.58	8.50	3.83	4.35	4.68	6.80	11.30

Valve Components


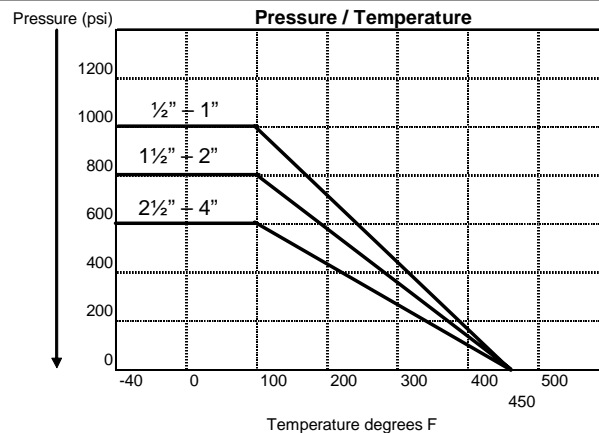
NO	PART NUMBER	MATERIAL	QTY.
1	Body	CF8M	1
2	Cap	CF8M	2
3	Ball	SS316	1
4	Seats	TFM	2
5	Stem	SS316	1
6	Thrust Washer	PTFE	1
7	Stem Packing	PTFE	1
8	Gland	SS304	1
9	Gasket	PTFE	2
10	Handle	SS304	1
11	Handle Washer	SS304	1
12	Handle Nut	SS304	1
13	Body Washer	SS304	4, 12
14	Body Nut	SS304	4, 12
15	Bolt	SS304	4, 6
16	Handle Sleeve	PVC	1

SVF Series SB6 Clamp End Valves

HOW TO ORDER SB6						
SERIES	BODY & ENDS	BALL & STEM	SEAT	SEAL	ENDS	SIZE
SB6	6 = 316 SS	6 = 316 SS	A = TFM	T = PTFE	TR = CLAMP ENDS	05 = 1/2" 07 = 3/4" 10 = 1" 15 = 1.5" 20 = 2" 25 = 2.5" 30 = 3" 40 = 4"

To order a 1/2" SB6 the complete Part Number is:
SB666ATTR05

SIZE	Cv	WEIGHT (Lbs)
05 = 1/2"	8	1
07 = 3/4"	29	1.2
10 = 1"	66	2.3
15 = 1.5"	192	4.7
20 = 2"	434	7.5
25 = 2.5"	723	20
30 = 3"	1124	30
40 = 4"	2100	40



Automated Valves

A complete range of automated Sanitary Clamp End valves is available through our **CleanFlow** product series. Please request information about our "SB7" products when you require automated valves with limit switches, pilot valves, positioners or other control accessories.

