

Fig. 329 - Adjustable Beam Clamp

Maximum Recommended Load — 1290 lbs.

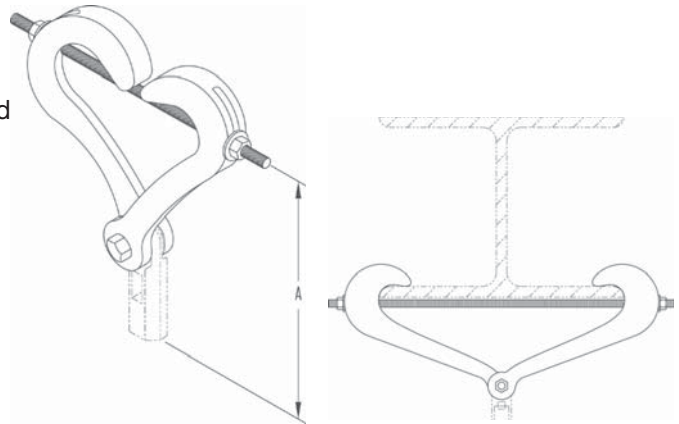
Material — Malleable Iron

Function — For attachment to beam flanges under normal service conditions where the flange thickness does not exceed 0.60" and where beam widths are from 2³/₈" min. to 7" max.

Approvals — Complies with Federal Specification WW-H-171E, Type 30 and Manufacturers Standardization Society SP-69, Type 30, when used with Fig. 333 Extension Piece.

Finish — Plain

Note — Available in Electro-Galvanized and HDG finish



Dimensions • Weights

A		Bolt Size	Max. Rec. Load Lbs.	Approx. Wt./100
Min	Max.			
1 ⁷ / ₈	3 ¹ / ₂	7/16	1290	221

Fig. 330 - Weldless Steel Eye Nut

Size Range — 3/8 thru 2¹/₂" machine thread.

Material — Forged Steel

Quality Assurance — Conforms to the requirements of NCA 3800.

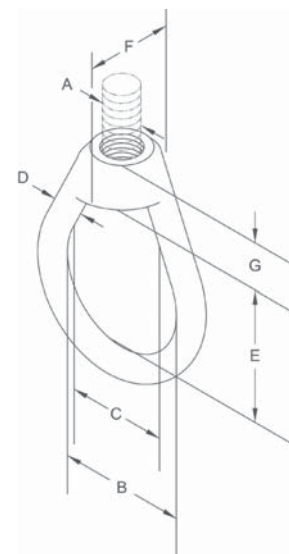
Threads — Tapped UNC Class 2B. Right hand threads are standard. Left hand threads supplied upon request.

Function — Used on piping installations where high strength and swivel action are required. Left hand tap is also available.

Approvals — Complies with Federal Specification WW-H-171E, Type 17 and Manufacturers Standardization Society SP-69, Type 17.

Finish — Plain

Note — Available in Electro-Galvanized and HDG finish



Dimensions • Weights

Rod Size A	B	C	D	E	F	G	Max. Rec. Load Lbs. 650°F	750°F	Approx. Wt./100
3/8	1 ¹ / ₂	1 ³ / ₁₆	1/2	2	1 ³ / ₈	11/16	610	540	63
1/2	1 ¹ / ₂	1 ³ / ₁₆	1/2	2	1 ³ / ₈	11/16	1130	1010	60
5/8	1 ¹ / ₂	1 ³ / ₁₆	1/2	2	1 ³ / ₈	11/16	1810	1610	59
3/4	1 ¹ / ₂	1 ³ / ₁₆	1/2	2	1 ³ / ₈	11/16	2710	2420	56
7/8	2	1 ¹¹ / ₁₆	3/4	2 ⁵ / ₈	1 ¹⁵ / ₁₆	1	3770	3360	170
1	2	1 ¹¹ / ₁₆	3/4	2 ⁵ / ₈	1 ¹⁵ / ₁₆	1	4960	4420	174
1 ¹ / ₈	2 ¹ / ₂	1 ¹³ / ₁₆	1	3 ³ / ₈	2 ³ / ₈	1 ¹ / ₄	6230	5560	373
1 ¹ / ₄	2 ¹ / ₂	1 ¹³ / ₁₆	1	3 ³ / ₈	2 ³ / ₈	1 ¹ / ₄	8000	7140	364
1 ¹ / ₂	2 ¹ / ₂	1 ¹³ / ₁₆	1	3 ³ / ₈	2 ³ / ₈	1 ¹ / ₄	11630	10370	345
1 ³ / ₄	4	4	1 ¹ / ₂	6 ¹ / ₄	4	2 ¹ / ₄	15700	14000	1657
2	4	4	1 ¹ / ₂	6 ¹ / ₄	4	2 ¹ / ₄	20700	18460	1614
2 ¹ / ₄	4	4	1 ¹ / ₂	6 ¹ / ₄	4	2 ¹ / ₄	27200	24260	1562
2 ¹ / ₂	4	4	1 ¹ / ₂	6 ¹ / ₄	4	2 ¹ / ₄	33500	29880	1506