

Fig. 981 - Fast Attach — Universal Swivel Sway Brace Attachment

Size Range — One size fits bracing pipe 1" thru 2", TOLCO 12 gauge channel, and all structural steel up to 1/4" thick.

Material — Carbon Steel

Function — Multi-functional attachment to hanger rod, trapeze rod, structure or braced pipe fitting.

Features — Fits multiple sizes of bracing pipe, strut or structural steel. Swivel allows adjustment to various surface angles. Break-away bolt head assures verification of proper installation torque. Unique "fast attach" yoke design allows Fig. 981 to be installed using hanger rods 3/8" through 3/4" in size. "Stackable" design allows installation of both lateral and longitudinal braces, as well as opposing braces, to be easily installed on a single hanger rod, with no disassembly. The retrofit yoke has a visual verification of proper installation torque. Tighten existing hex nut down until the slight gap in the yoke assembly closes completely.

Installation — The Fig. 981 is the "braced pipe" attachment component of a lateral or longitudinal brace assembly. It is intended to be combined with the pipe hanger, all-thread rod, "bracing pipe" and TOLCO transitional and structural attachment component(s) to form a complete bracing assembly. NFPA 13 and or OSHPD guidelines should be followed.

To Install — Spin nut on top of hanger counterclockwise to loosen the nut and raise it above the top of the hanger. Attach Fig. 981 by slipping the open side of the 981 yoke onto the all thread rod above the top of the hanger. Be sure that the concave indented side of the Fig. 981 yoke is facing upward away from the top of the hanger toward the loosened hex nut. Spin the hex nut clockwise and tighten securely. Insert brace pipe into the jaw of the 981 and tighten the cone point set bolt until the hex head breaks off ensuring proper installation torque. Pivot brace pipe to proper angle and attach to structure using a TOLCO swivel structural attachment

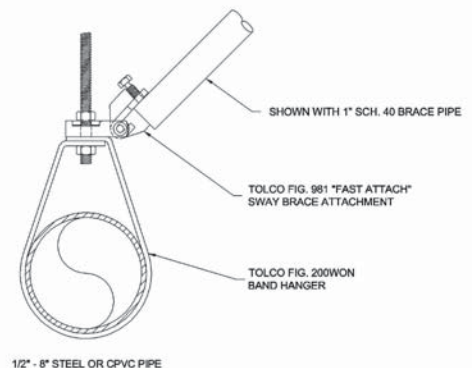
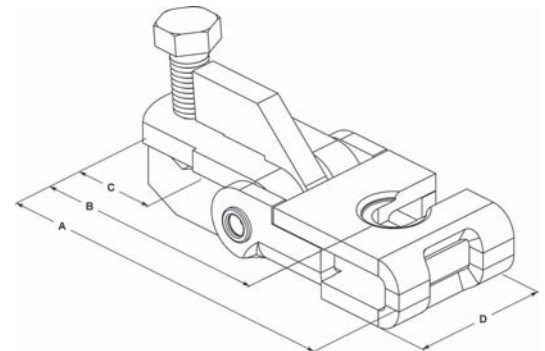
Approvals — Underwriter's Laboratories Listed in the USA (UL) and Canada (cUL) for steel and CPVC pipe. Included in our Seismic Restraint Systems Guidelines, approved by the California Office of Statewide Health Planning and Development (**OSHPD**). For additional load, spacing and placement information relating to OSHPD projects, please refer to the TOLCO Seismic Restraint Systems Guidelines.

Finish — Electro-Galvanized

Order By — Figure number, rod size 3/8" thru 3/4" and finish.

Pat. # 6,273,372, Pat. # 7,097,141

Component of State of California OSHPD Approved Seismic Restraints System 



Dimensions • Weights					
A	B	C	D	Max. Design Load Lbs.	Approx. Wt./100
5 1/8	4 1/8	1 1/4	2 1/4	2015	88

