

Fig. 311 - Pipe Saddle with Strap

Size Range — Size 4" thru 36" pipe

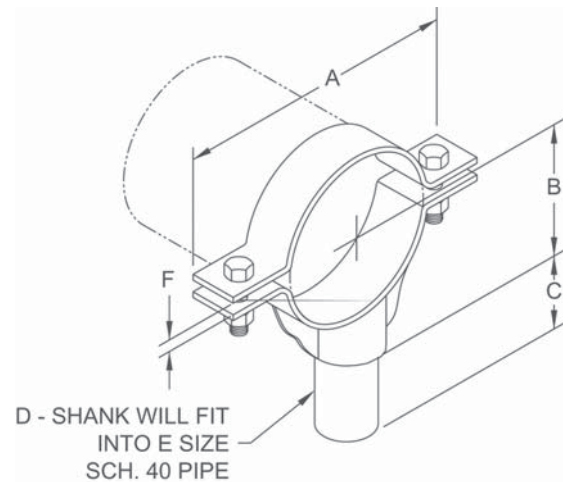
Material — Carbon Steel

Function — Designed to support horizontal pipe from floor stanchion. Top clamp holds pipe securely to saddle. To complete floor stanchion use with Fig. 316 Stand Pipe. For complete floor stanchion with vertical adjustment use Fig. 319 Threaded Pipe with Adjuster and Fig. 316T Threaded Stand Pipe.

Finish — Plain

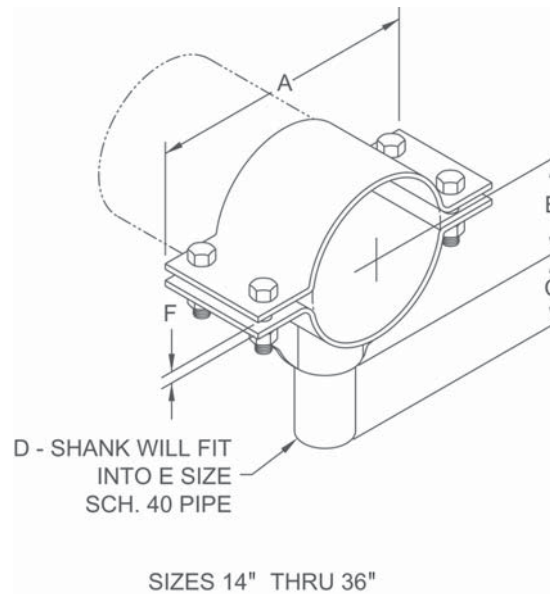
Note — Available in Electro-Galvanized and HDG finish or Stainless Steel materials.

Order By — Figure number, pipe size and finish



SIZES 4" THRU 12"

GUSSETS ON SIZES 8"
AND LARGER



SIZES 14" THRU 36"

Dimensions

Pipe Size	A	B	C	D	E	F	Bolt Size
4	7	3 ¹³ / ₁₆	2	2 ³ / ₈	2 ¹ / ₂	3/4	1/2
5	8 ⁵ / ₈	4 ³ / ₁₆	2	2 ³ / ₈	2 ¹ / ₂	3/4	1/2
6	11	4 ⁷ / ₈	2	2 ³ / ₈	2 ¹ / ₂	7/8	5/8
8	12 ⁷ / ₈	6 ¹⁵ / ₁₆	2	2 ³ / ₈	2 ¹ / ₂	1	5/8
10	16 ¹ / ₄	7 ¹⁵ / ₁₆	2	2 ³ / ₈	2 ¹ / ₂	1	3/4
12	18 ¹ / ₄	9 ¹ / ₈	3	2 ³ / ₈	2 ¹ / ₂	1	3/4
14	19 ³ / ₄	10 ¹ / ₂	3	2 ⁷ / ₈	3	1 ¹ / ₈	3/4
16	22 ³ / ₄	11 ¹ / ₂	3	2 ⁷ / ₈	3	1 ¹ / ₈	3/4
18	25 ⁷ / ₈	13 ¹ / ₂	4	3 ³ / ₄	4	1 ¹ / ₄	3/4
20	27 ³ / ₄	14 ¹ / ₂	4	3 ³ / ₄	4	1 ³ / ₈	3/4
22	29 ³ / ₄	15 ¹ / ₂	4	3 ³ / ₄	4	1 ³ / ₈	3/4
24	33	17 ¹ / ₂	4	3 ³ / ₄	4	1 ⁵ / ₈	7/8
26	35	18 ¹ / ₂	4	3 ³ / ₄	4	2	7/8
30	41 ³ / ₈	20 ⁵ / ₈	4	3 ³ / ₄	4	2	7/8
32	43 ³ / ₈	21 ⁵ / ₈	4	3 ³ / ₄	4	2	7/8
36	47 ³ / ₈	23 ⁵ / ₈	4	3 ³ / ₄	4	2	7/8