

Fig. 101 - Welded Eye Rod

Size Range — 3/8" thru 2½" rod

Material — Carbon Steel

Function — Designed for use as support hanger rod that may be attached directly to structure or to other pipe support product. The welded eye allows for heavier loads.

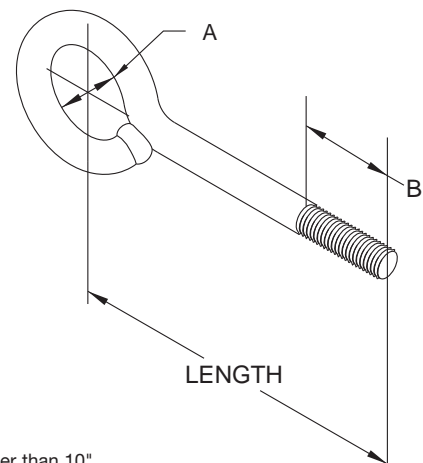
Finish — Plain

Note — Available in Electro-Galvanized and HDG finish or Stainless Steel materials.

Order By — Figure number, rod size, length and finish

Important Note — "A" dimension should be 1/16" larger than fastener. Please notify factory if larger "A" dimension is needed.

Rod Size	Dimensions		Max. Rec. Load Lbs. for Service Temps.	
	A	B*	650°F	750°F
			3/8	7/16
1/2	9/16	2½	1130	1010
5/8	13/16	2½	1810	1610
3/4	1	3	2710	2420
7/8	1⅛	3½	3770	3360
1	1¼	4	4960	4420
1¼	1½	5	8000	7140
1½	2	6	11630	10370
1¾	2¼	7	15700	14000
2	2½	8	20700	18460
2¼	2¾	9	27200	24260
2½	3	10	33500	29800



* Where length is shorter than 10" consult factory for thread length.

Fig. 102 - Eye Rod

Size Range — 3/8" thru 2½" rod

Material — Carbon Steel

Function — Designed for use as support hanger rod that may be attached directly to structure or to other pipe support product.

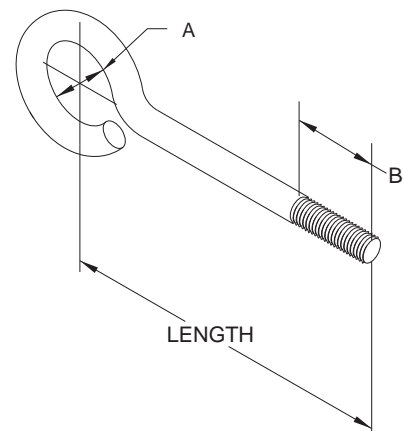
Finish — Plain

Note — Available in Electro-Galvanized and HDG finish or Stainless Steel materials.

Order By — Figure number, rod size, length and finish

Important Note — "A" dimension should be 1/16" larger than fastener. Please notify factory if larger "A" dimension is needed.

Rod Size	Dimensions		Max. Rec. Load Lbs. for Service Temps.
	A	B*	650°F
3/8	7/16	2½	210
1/2	9/16	2½	395
5/8	13/16	2½	630
3/4	1	3	945
7/8	1⅛	3½	1315
1	1¼	4	1735
1¼	1½	5	2800
1½	2	6	4070
1¾	2¼	7	5490
2	2½	8	7240
2¼	2¾	9	9520
2½	3	10	11725



* Where length is shorter than 10" consult factory for thread length.