

## Fig. 111 - Light Weight U-Bolt with 2 Hex Nuts

**Size Range** — Size 1/2" thru 10" pipe

**Material** — Carbon Steel

**Function** — Recommended for supporting or anchoring light pipe loads.

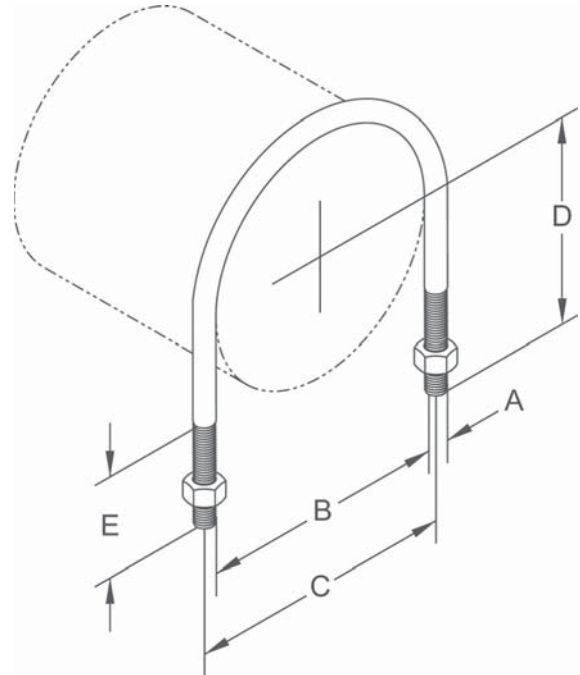
**Maximum Temperature** — 650°F

**Finish** — Plain

**Note** — Available in Electro-Galvanized and HDG finish or Stainless Steel materials.

**Order By** — Figure number, pipe size and finish

**Note** — When furnished in Hot-Dip Galvanized finish, oversize tapped hex nuts must be used.



### Dimensions • Weights

Rod Size A	Pipe Size	B	C	D	E	Max. Design Load Lbs.	Approx. Wt./100
1/4	1/2	15/16	1 <sup>3</sup> / <sub>16</sub>	1 <sup>15</sup> / <sub>16</sub>	1 <sup>3</sup> / <sub>4</sub>	485	8
1/4	3/4	1 <sup>1</sup> / <sub>8</sub>	1 <sup>3</sup> / <sub>8</sub>	2 <sup>1</sup> / <sub>16</sub>	1 <sup>3</sup> / <sub>4</sub>	485	8
1/4	1	1 <sup>3</sup> / <sub>8</sub>	1 <sup>5</sup> / <sub>8</sub>	2 <sup>3</sup> / <sub>16</sub>	1 <sup>3</sup> / <sub>4</sub>	485	9
1/4	1 <sup>1</sup> / <sub>4</sub>	1 <sup>11</sup> / <sub>16</sub>	1 <sup>15</sup> / <sub>16</sub>	2 <sup>3</sup> / <sub>8</sub>	1 <sup>3</sup> / <sub>4</sub>	485	9
1/4	1 <sup>1</sup> / <sub>2</sub>	2	2 <sup>1</sup> / <sub>4</sub>	2 <sup>7</sup> / <sub>16</sub>	1 <sup>3</sup> / <sub>4</sub>	485	10
1/4	2	2 <sup>7</sup> / <sub>16</sub>	2 <sup>11</sup> / <sub>16</sub>	2 <sup>11</sup> / <sub>16</sub>	1 <sup>3</sup> / <sub>4</sub>	485	11
3/8	2 <sup>1</sup> / <sub>2</sub>	2 <sup>15</sup> / <sub>16</sub>	3 <sup>5</sup> / <sub>16</sub>	3 <sup>1</sup> / <sub>16</sub>	2	1220	31
3/8	3	3 <sup>9</sup> / <sub>16</sub>	3 <sup>15</sup> / <sub>16</sub>	3 <sup>3</sup> / <sub>8</sub>	2	1220	33
3/8	3 <sup>1</sup> / <sub>2</sub>	4 <sup>1</sup> / <sub>16</sub>	4 <sup>7</sup> / <sub>16</sub>	3 <sup>5</sup> / <sub>8</sub>	2	1220	40
3/8	4	4 <sup>9</sup> / <sub>16</sub>	4 <sup>15</sup> / <sub>16</sub>	3 <sup>7</sup> / <sub>8</sub>	2	1220	40
3/8	5	5 <sup>5</sup> / <sub>8</sub>	6	4 <sup>9</sup> / <sub>16</sub>	2 <sup>1</sup> / <sub>4</sub>	1220	47
1/2	6	6 <sup>3</sup> / <sub>4</sub>	7 <sup>1</sup> / <sub>4</sub>	5 <sup>1</sup> / <sub>16</sub>	2 <sup>1</sup> / <sub>4</sub>	2260	125
1/2	8	8 <sup>3</sup> / <sub>4</sub>	9 <sup>1</sup> / <sub>4</sub>	6 <sup>1</sup> / <sub>16</sub>	2 <sup>1</sup> / <sub>4</sub>	2260	156
5/8	10	10 <sup>7</sup> / <sub>8</sub>	11 <sup>1</sup> / <sub>2</sub>	7 <sup>1</sup> / <sub>4</sub>	2 <sup>1</sup> / <sub>2</sub>	3620	318