

Pipe Pier[®] Roof Top Supports - 150 & 300

Size Range — Pipe Pier 150 - 4" height, 12" length,

Pipe Pier 300 - 4" height, 21.5" length

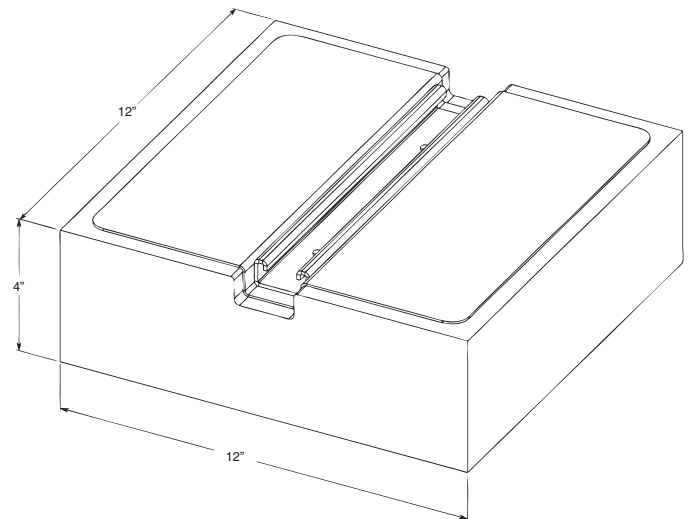
Material — Closed-cell, medium density, black Polyethylene Foam Ethafoam[™]. C14 Style Galvanized Strut Channel. Hot melt adhesive-bonding sheet metal to foam block. 14 Gauge Galva Neal Sheet Metal.

Application — Designed and engineered specifically for rooftop and raised floor applications. Can be used in hundreds of combinations to solve nearly every pipe support need and allows you to mount breaker and junction boxes safely off the roof level. Piping should be attached using standard strut clamps, rollers or other approved accessories.

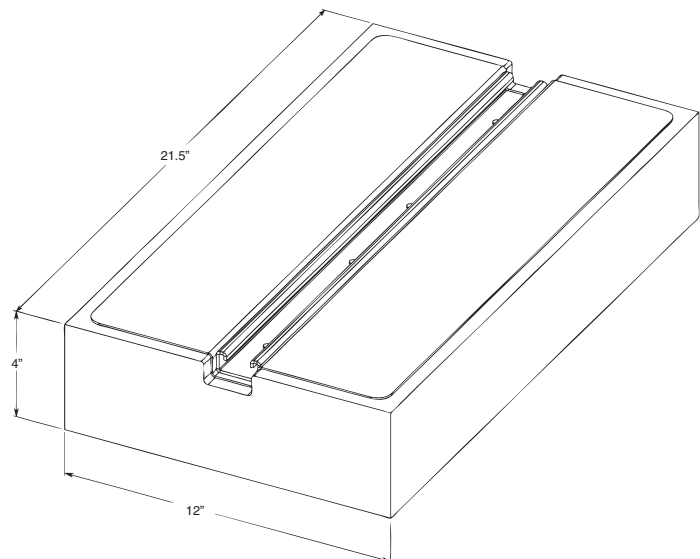
Features and Advantages — UV resistant and weather-proof polyethylene foam block. Accommodates contraction and expansion of piping. Engineered to securely hold pipe, conduit, cable and HVAC equipment. Absorbs shock and vibrations. May be used with standard strut clamps and accessories. Eliminates on-site cutting, drilling and measuring. Protects roof membrane from damage even when there is no gravel or rock.

Note — Pipe Pier 150 stands at a height of 4", with a length of 12", and is designed for installation of pipe and conduit with a maximum 150 lb. design capacity. Pipe Pier 300 stands at a height of 4", with a length of 21.5", and is designed for installation of pipe and conduit with a maximum 300 lb. design capacity.

Order By — Pipe Pier 150 or Pipe Pier 300



Pipe Pier 150



Pipe Pier 300