

Fig. 422C - Copper Tubing Light Weight Pipe Alignment Guide

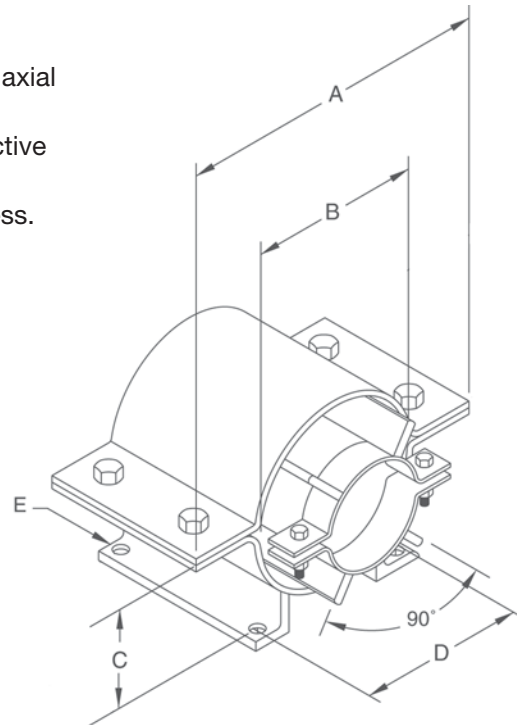
Size Range — 3/4" thru 6" pipe

Material — Carbon Steel

Function — For maintaining alignment of piping through its axial expansion and contraction cycles.

Material and Finish — All surfaces are coated with a protective black enamel paint.

Order By — Figure number, tube size and insulation thickness.



Dimensions • Weights

Pipe Size	Actual Tube O.D.	A	B	C	D	Hole Size E	Max. Insul. Thickness	Approx. Wt./100
3/4	7/8	6 ⁵ / ₈	4 ³ / ₈	3 ¹ / ₈	5	5/8	1 ⁵ / ₈	400
1	1 ¹ / ₈	6 ⁵ / ₈	4 ³ / ₈	3 ¹ / ₈	5	5/8	1 ⁵ / ₈	400
1 ¹ / ₄	1 ³ / ₈	8 ¹ / ₂	6 ¹ / ₄	3 ¹ / ₂	6 ¹ / ₄	5/8	1 ⁵ / ₈	630
1 ¹ / ₂	1 ⁵ / ₈	8 ¹ / ₂	6 ¹ / ₄	3 ¹ / ₂	6 ¹ / ₄	5/8	1 ⁵ / ₈	630
2	2 ¹ / ₈	8 ¹ / ₂	6 ¹ / ₄	3 ¹ / ₂	6 ¹ / ₄	5/8	1 ⁵ / ₈	630
2 ¹ / ₂	2 ⁵ / ₈	9 ¹ / ₂	7 ¹ / ₄	4	6 ³ / ₄	5/8	2 ¹ / ₈	760
3	3 ¹ / ₈	11 ³ / ₄	9 ¹ / ₂	5	7 ³ / ₈	5/8	2 ¹ / ₈	1260
3 ¹ / ₂	3 ⁵ / ₈	11 ³ / ₄	9 ¹ / ₂	5	7 ³ / ₈	5/8	2 ¹ / ₈	1260
4	4 ¹ / ₈	11 ³ / ₄	9 ¹ / ₂	5	7 ³ / ₈	5/8	2 ¹ / ₈	1260
5	5 ¹ / ₈	11 ³ / ₄	9 ¹ / ₂	5	7 ³ / ₈	5/8	2 ¹ / ₈	1260
6	6 ¹ / ₈	13 ⁵ / ₈	10 ⁵ / ₈	6 ¹ / ₄	7 ³ / ₈	5/8	2 ¹ / ₈	1920