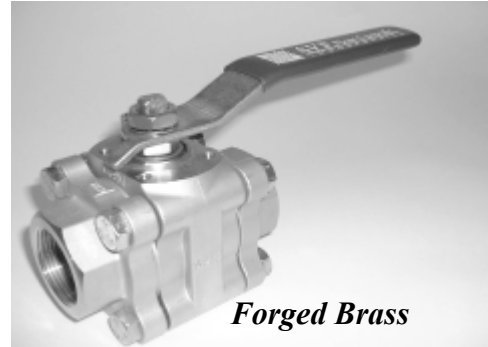


The SVF Series B81, three-piece ball valve represents the next generation in design and performance. This process quality, high-performance valve has been engineered and manufactured to meet all of the industry standards for quality and performance. This feature-rich design adds safety, reliability and superior performance to any process control system.

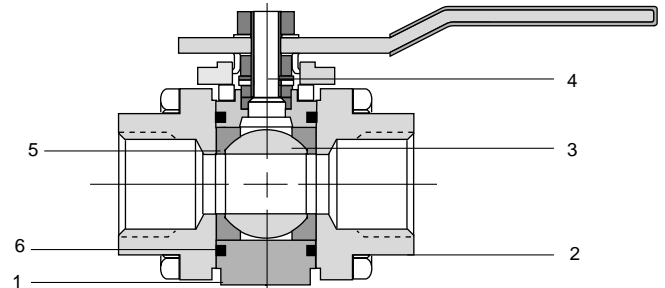
Features **1/4 - 2"**

- ▲ Encapsulated body seals to facilitate inline weldability without disassembly
- ▲ Live-loaded stem seal per ISA-SP-93
- ▲ Self-relieving seats that reduce operating torque and improve seat life
- ▲ Integral ISO mounting pad to ISO-5211
- ▲ Forged Brass construction (with NPT or Sweat Ends)
- ▲ Blowout-proof stem
- ▲ Stainless externals - hardware, stem and handle
- ▲ Full range of versatile options



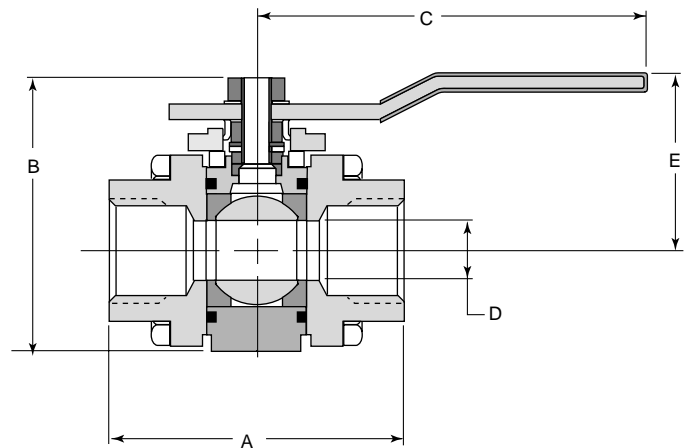
Materials

Item	Description	Material
1	Body	Forged-Brass
2	Body Connector	Forged-Brass
3	Ball	316 SS
4	Stem	316 SS
5	Seat	TFM, SupraLon, Delrin, UHMWPE, PEEK, VXI
6	Body Connector Seal	TFE, Graphoil, Buna-N, UHMWPE



Dimensions & Weights (ins., lbs)

Size	A	B	C	D	E	Wt.
1/4", 3/8", 1/2"	2.80	2.60	4.49	0.56	1.87	2.0
3/4"	3.66	3.42	5.75	0.81	2.40	3.7
1"	4.25	3.70	5.75	1.00	2.60	5.0
1 1/4"	4.56	4.40	7.00	1.25	3.15	7.3
1-1/2"	5.04	4.90	7.00	1.50	3.31	10.3
2"	6.00	8.60	10.50	2.00	3.67	20.2



Also available as Reduced Port (R81)