

SINGLE ENTRY BALL VALVES



Features – PVC Gray, PVC White

This quarter-turn shutoff valve is widely chosen for industrial and chemical processing, turf and irrigation, plus pool and spa applications. Available in PVC Gray or PVC White, IPS Sizes 1/2" - 4" with socket or threaded end connectors. **Note:** Seal carrier is NOT blocked (see True Union 2000 Valves).

- Chemical & Corrosion Resistant PVC Gray or PVC White Construction
- Schedule 80 Full-Bore Design
- Strong, Buttress Thread Union Nut
- High Impact Polypropylene Handle
- Spears® Single O-ring Safe-T-Shear® Stem Design
- Buna-N, EPDM or Viton® O-rings
- Self Adjusting PTFE Floating Seat Design
- Fully Serviceable, Replaceable Components
- Sizes 1/2" - 2" Pressure Rated to 235 psi @ 73°F, Sizes 3" - 4" Pressure Rated to 150 psi @ 73°F
- NSF Certified for Potable Water use
- Suitable for Vacuum Service
- Assembled with Silicone-Free, Water Soluble Lubricant
- Manufactured to ASTM F 1970

Sample Engineering Specification

All thermoplastic ball valves shall be Single Entry type constructed from PVC Type I, ASTM D 1784 Cell Classification 12454 or CPVC Type IV, ASTM D 1784 Cell Classification 23447. All O-rings shall be Buna-N, EPDM or Viton®. All valves shall have Safe-T-Shear® stem and double stop Polypropylene handle. All valve union nuts shall have Buttress threads. All valve components shall be replaceable. All valves shall be certified by NSF International for use in potable water service. All 1/2" - 2" valves shall be pressure rated at 235 psi and all 3" - 4" valves shall be pressure rated at 150 psi for water at 73°F, as manufactured by Spears® Manufacturing Company.

Quick-View Valve Selection Chart

Valve Size	O-ring Material	PVC Gray Part Numbers ¹		Pressure Rating
		Socket	Threaded	
1/2	Buna-N	2412-005G	2411-005G	235 psi Non-Shock Water @ 73°F
	EPDM	2422-005G	2421-005G	
	Viton®	2432-005G	2431-005G	
3/4	Buna-N	2412-007G	2411-007G	
	EPDM	2422-007G	2421-007G	
	Viton®	2432-007G	2431-007G	
1	Buna-N	2412-010G	2411-010G	
	EPDM	2422-010G	2421-010G	
	Viton®	2432-010G	2431-010G	
1-1/4	Buna-N	2412-012G	2411-012G	
	EPDM	2422-012G	2421-012G	
	Viton®	2432-012G	2431-012G	
1-1/2	Buna-N	2412-015G	2411-015G	
	EPDM	2422-015G	2421-015G	
	Viton®	2432-015G	2431-015G	
2	Buna-N	2412-020G	2411-020G	
	EPDM	2422-020G	2421-020G	
	Viton®	2432-020G	2431-020G	
3	Buna-N	2412-030G	2411-030G	150 psi Non-Shock Water @ 73°F
	EPDM	2422-030G	2421-030G	
	Viton®	2432-030G	2431-030G	
4	Buna-N	2412-040G	2411-040G	
	EPDM	2422-040G	2421-040G	
	Viton®	2432-040G	2431-040G	

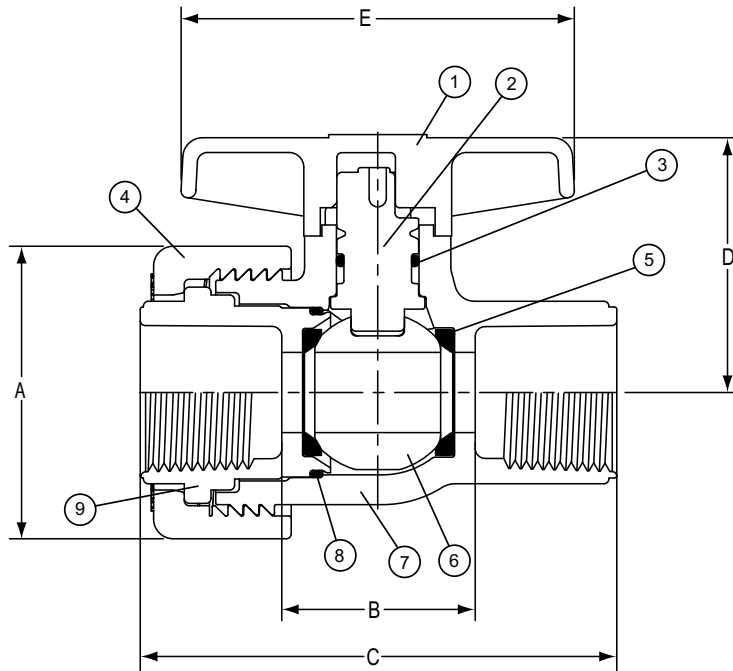
Optional Accessories*

- Round Safety Handle
- Stem Extension Kit
- 2" Square / T-Style Operator Nut

*See "**BALL VALVE ACCESSORIES**" section for details of individual products.

1: For PVC White valves, replace the letter "G" with the letter "W" at the end of the part number listed (e.g., 2421-005W).

SINGLE ENTRY BALL VALVES



Replacement Parts

No.	Component	Qty.	Material
1	Handle	1	PP
2	Stem	1	PVC
3	Stem O-ring	1	Buna-N/EPDM/Viton®
4	Union Nut	1	PVC
5	Seat	2	PTFE
6	Ball	1	PVC
7	Body	1	PVC
8	Carrier O-ring	1	Buna-N/EPDM/Viton®
9	Seal Carrier	1	PVC

Seat O-rings (not shown) on sizes 3" and larger.

Dimensions, Weights, Operating Torque & C_v Values

Nominal Size	Dimension Reference (inches, ± 1/16)						Approx. Wt. (Lbs.)	Oper. ² Torque (in.-lb.)	C _v ³ Values
	A	B ¹		C	D	E			
		Socket	Threaded						
1/2	1-15/16	1-1/4	1-5/8	3-1/16	1-5/8	2-1/2	.22	20	38
3/4	2-3/8	1-7/16	2-1/8	3-9/16	2	3	.36	30	76
1	2-5/8	1-5/8	2-1/8	3-7/8	2-5/16	3-15/16	.50	40	146
1-1/4	3-1/8	1-15/16	2-1/4	4-1/8	2-13/16	3-1/2	.75	60	292
1-1/2	3-9/16	2-3/8	2-3/4	4-5/8	3-1/16	3-7/8	1.00	80	412
2	4-5/16	3-1/16	3-5/8	5-1/2	3-3/4	5	2.00	90	720
3	6-3/16	4-3/8	5-3/8	8-1/8	5-1/2	7-5/8	7.00	300	1660
4	7-3/4	5-11/16	6-7/8	9-3/4	6-1/8	9-1/16	12.00	400	3104

1: Valve Lay Length

2: Torque required at valve maximum internal pressure rating, 5 ft./sec. flow velocity; due to adjustment differences during installation, actual values may vary.

3: Gallons per minute at 1 psi pressure drop. Values calculated from valve laying length, based on derivative of Hazen-Williams equation with surface roughness factor of C=150.

Temperature Pressure Rating

System Operating Temperature °F (°C)			73 (23)	100 (38)	110 (43)	120 (49)	130 (54)	140 (60)	150 (66)
Valve Pressure Rating psi (MPa)	1/2" - 2"	PVC	235 (1.62)	146 (1.01)	118 (.81)	94 (.65)	71 (.49)	52 (.36)	-0- (-0-)
	3" - 4"	PVC	150 (1.03)	93 (.64)	75 (.52)	60 (.41)	45 (.31)	33 (.23)	-0- (-0-)

NOT FOR USE WITH COMPRESSED AIR OR GASES