

# 300 lb. WWP Bronze Ball Valves

Fire Protection Valve • Two-Piece Body • Chrome Plated Ball •  
Blowout-Proof Stem • Reinforced TFE Seats

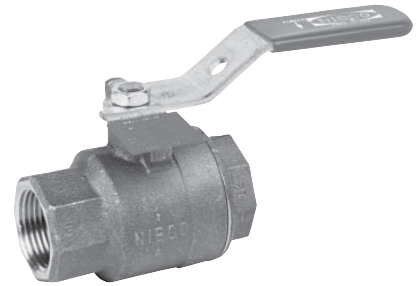
**300 PSI/20.7 Bar Non-Shock Cold Water**

CONFORMS TO MSS SP-110 • UL LISTED† •  
FM APPROVED†

## MATERIAL LIST

PART	SPECIFICATION
1. Handle Nut	Zinc Plated Steel
2. Handle	Zinc Plated Steel Clear Chromate with Plastisol Grip
3. Threaded Pack Gland	Brass ASTM B 16
4. Packing	TFE
5. Stem	Silicon Bronze ASTM B 371 Alloy C69430 or ASTM B 99 Alloy C65100
6. Thrust Washer	Reinforced TFE
7. Ball	Brass ASTM B 124 Alloy C37700 or ASTM B 16 Alloy C36000 with Hard Chrome Plate
8. Seat Ring (2)	Reinforced TFE
9. Body	Cast Red Bronze ASTM B 584 Alloy C84400
10. Body End Piece	Cast Red Bronze ASTM B 584 Alloy C84400

1/4" and 3/8" size only has a 304 stainless steel grounding washer.

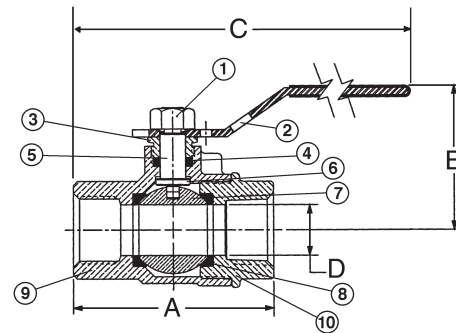


### KT-585-70-UL

1/4" - 1" Full Port  
Threaded

### KT-580-70-UL

1/4" - 3" Standard Port  
Threaded



### KT-585-70-UL

Full Port  
NPT x NPT

### KT-580-70-UL

Standard Port  
NPT x NPT

## DIMENSIONS—WEIGHTS—QUANTITIES

Size	KT-585-70-UL Dimensions												
	A		B		C		D Port		Weight		Box Qty.	Master Ctn. Qty.	
In. mm.	In. mm.	In. mm.	In. mm.	In. mm.	In. mm.	In. mm.	In. mm.	Lbs.	Kg.				
1/4	8	2.00	51	1.75	44	5.00	127	.38	10	.45	.20	10	100
3/8	10	2.00	51	1.75	44	5.00	127	.38	10	.45	.20	10	100
1/2	15	2.44	62	1.88	48	5.19	132	.50	13	.64	.29	10	100
3/4	20	2.94	75	2.25	57	6.25	159	.75	19	1.33	.60	5	50
1	25	3.34	85	2.38	59	6.44	164	1.00	25	1.79	.81	5	20

Size	KT-580-70-UL Dimensions												
	A		B		C		D Port		Weight		Box Qty.	Master Ctn. Qty.	
In. mm.	In. mm.	In. mm.	In. mm.	In. mm.	In. mm.	In. mm.	In. mm.	Lbs.	Kg.				
1 1/4	32	3.94	100	2.63	67	6.75	171	1.00	25	2.17	.99	5	20
1 1/2	40	4.31	110	3.00	76	8.91	228	1.25	32	3.27	1.49	5	20
2	50	4.63	117	3.25	83	9.06	230	1.50	38	5.09	2.31	5	10
2 1/2	65	5.84	148	3.53	90	9.66	245	2.00	51	8.25	3.79	2	6
3	80	7.09	202	4.41	112	11.53	293	2.50	64	15.65	7.11	1	4

† UL Listed, FM Approved for trim and drain use – sizes 1/4" thru 2".

