

# VALVES

## Model B680 Butterfly Valve with Lever Handle

The Model B680 is a lever handle bronze body butterfly valve designed for use with grooved copper tubing (CTS), fittings and couplings. The valve is rated to 300 psi (20 bar) and features a 10 position locking lever handle and EPDM encapsulated ductile iron disc.

### MATERIAL SPECIFICATIONS

#### Body

- Cast Bronze to ASTM B584-87 Copper Alloy UNS C90500

#### Disc

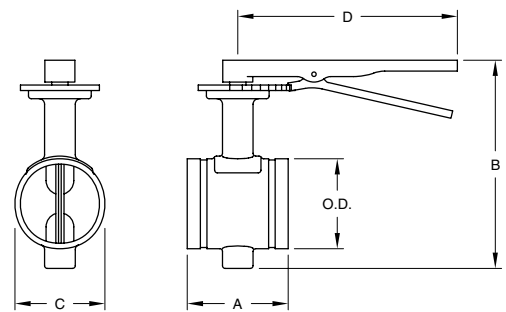
- Ductile Iron to ASTM A536 Gr. 65-45-12 Encapsulated with EPDM

#### Upper & Lower Shafts

- Stainless Steel Type 416 of ASTM A582
- UL Classified in Accordance with ANSI/NSF 61



Tech Data: G530



Nominal Size Inches mm	Pipe O.D. Inches mm	Dimensions				Weight lbs kg
		A Inches mm	B Inches mm	C Inches mm	D Inches mm	
2	2.125	3.19	5.31	2.45	10.0	4.9
50	54,0	81,0	135,0	57,0	254,0	2,2
2½	2.625	3.75	5.91	2.63	10.0	5.9
65	66,7	96,0	150,0	67,0	254,0	2,7
3	3.125	3.75	7.68	3.13	10.0	6.6
80	79,4	96,0	195,0	79,0	254,0	3,0
4	4.125	4.63	8.78	4.13	10.0	11.0
100	104,8	118,0	223,0	105,0	254,0	5,0
5	5.125	5.88	9.80	5.13	10.0	17.6
125	130,2	149,0	249,0	130,0	254,0	8,0
6	6.125	5.88	10.86	6.13	10.0	21.6
150	155,6	149,0	276,0	156,0	254,0	9,8

**Notes:** Pressure ratings listed are CWP (cold water pressure) or maximum working pressure within the service temperature range of the gasket used in the coupling.

Maximum working pressures and end loads listed are total of internal and external pressures and loads based on roll-grooved Type K – ASTM B-88 copper tubing.

Please refer to General Notes on page 17.

COPPER  
GROOVED  
SYSTEM