

Fig. 130 - Beam Clamp with Bolt and Nut

Size Range — Fig. 130-1 = TJI 35
 Fig. 130-2 = —
 Fig. 130-3 = TJI 25
 Fig. 130-4 = TJI 55 & 65
 Fig. 130-5 = TJI 75
 Fig. 130-6 = TJI 96

Material — Carbon Steel

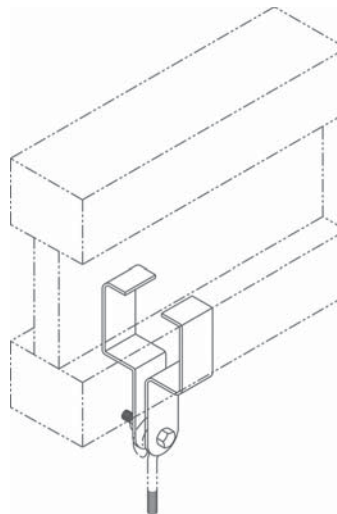
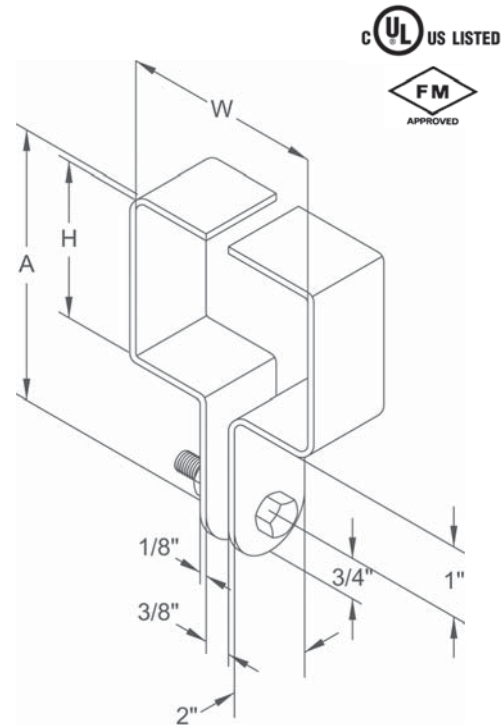
Function — Effective and economical method of hanging from “Trus Joist” type beams. Use with Fig. 102 Eye Rod.

Approvals — Sizes 1, 2, 3 and 4 Underwriters’ Laboratories listed in the USA (**UL**) and Canada (**cUL**) listed through 4" pipe. All Fig. 130 Beam Clamps meet requirements of Factory Mutual Engineering and NFPA 13, through 4" pipe.

Finish — Electro-Galvanized

Note — Available in HDG finish or Stainless Steel materials.

Order By — Figure number with dash designation and finish or by height and width of beam and finish.



Dimensions • Weights

Size	A	Beam Dimensions		Approx. Wt./100
130-		H	W	
1	3/4	1 1/2	2 5/16	65
2	3 1/2	1 3/4	2 1/2	70
3	3 1/4	1 1/2	1 3/4	58
4	3 1/2	1 1/2	3 1/2	83
5†	3 5/8	1 3/4	3 1/2	86
6†	4 1/2	2 1/2	3 7/8	101

* Max. Rec. Load 500 lbs.

**Safety Factor of 5

† Larger bolts and I-rods are required for 5" and 6" pipe sizes