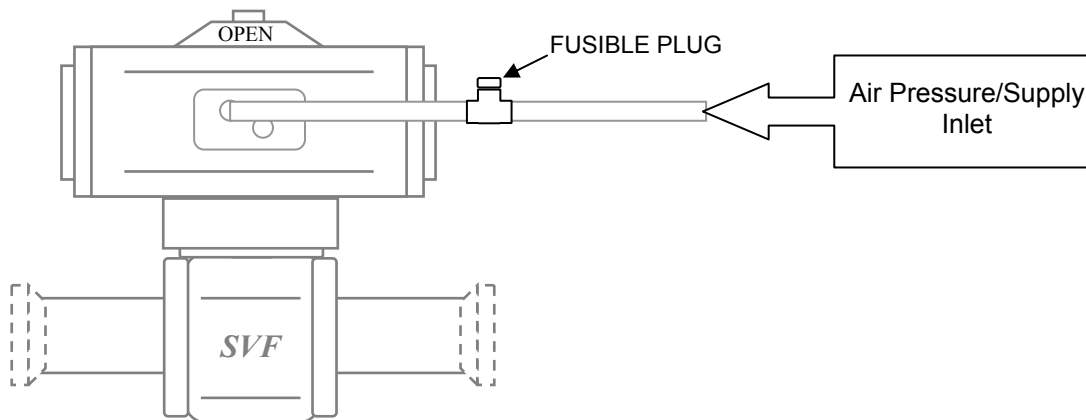


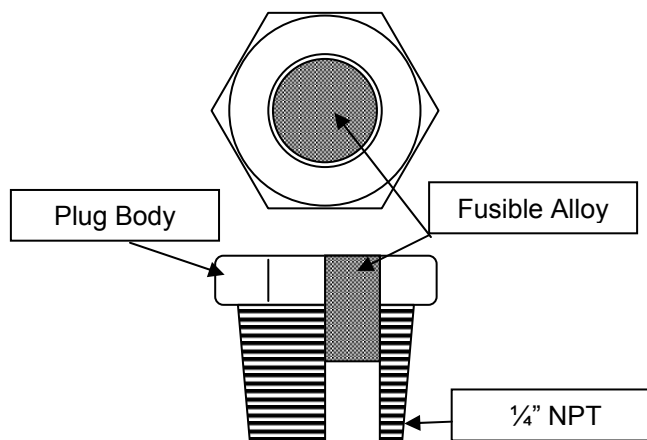
Fusible Plug Option for Spring Return Pneumatic Actuators


The SVF ESD (Emergency Shut Down) device is a heat actuated fusible plug that is installed as a Tee assembly into the supply air line to a pneumatic Spring Return actuator.

Depending upon the selected temperature, the “FP” element will melt and divert the supply air and the actuator pressure to atmosphere.

This will allow the actuator to drive the valve to the predetermined “Emergency Shutdown” position.

FP devices are available in brass or stainless steel construction and are available in design temperatures listed in the accompanying table.



Part Number	Materials	Temperature	NPT
FPB-1	Brass	165 F	1/4"
FPB-2	Brass	212 F	1/4"
FPS-1	Stainless Steel	165 F	1/4"
FPS-2	Stainless Steel	212 F	1/4"