

Fig. 315 - Adjustable Pipe Support

Size Range — Size 4" thru 10" pipe

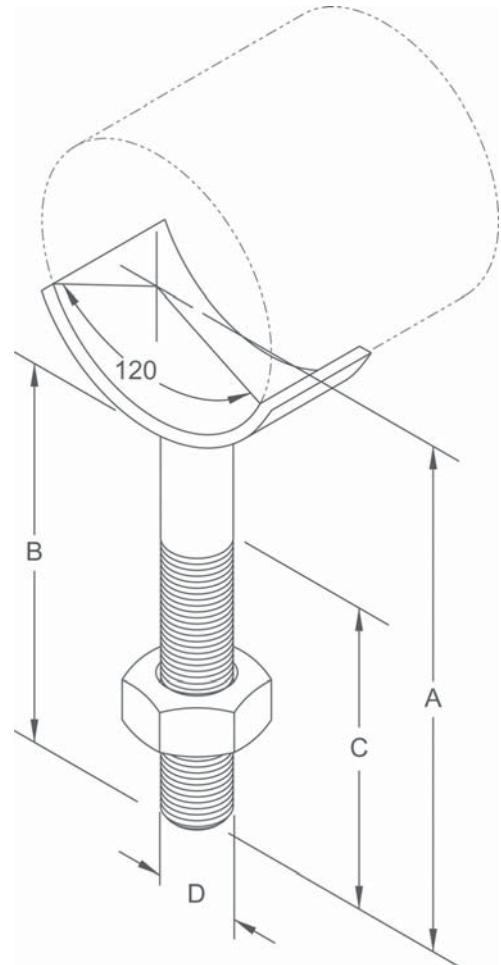
Material — Carbon Steel

Function — Designed to support horizontal pipe from floor stanchion where vertical adjustment is required.

Finish — Plain

Note — Available in Electro-Galvanized and HDG finish or Stainless Steel materials.

Order By — Figure number, pipe size and finish



Dimensions • Weights

Pipe Size	A	B	C	IPS D	Use with Fig. 316 Stand Pipe Size	Approx. Wt./100
4	10 $\frac{5}{8}$	8	6	1 $\frac{1}{2}$	2	210
6	11 $\frac{1}{16}$	8	6	1 $\frac{1}{2}$	2	219
8	12 $\frac{1}{16}$	8	6	2	2 $\frac{1}{2}$	240
10	13 $\frac{3}{4}$	8	6	2	2 $\frac{1}{2}$	240