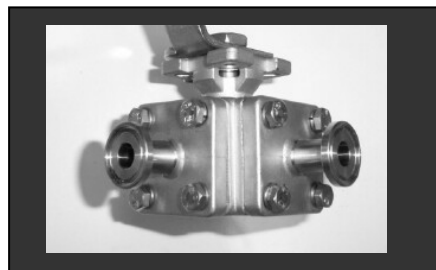


Series SMC9 – Multiported High Purity Valve

The SVF *CleanFLOW* ball valve is available in a multiport design to satisfy a wide range of flow control schemes. The *SMC9* valve features a selection of flow patterns with “L” or “T” ball configurations and is ideally suited for valve actuation.

As with all *CleanFLOW* valves, the *SMC9* features:

- ASME/BPE Compliant design
- Drainable with “Tube-ID” flow path
- Integral ISO mounting pad
- 316L Grade construction
- Mechanical and Electro-polishing
- MTR’s available for all wetted parts
- Live-Loaded Stem Seals



Additional features of the SMC9:

- Four-Seat design provides isolation in all positions
- Direct Mount actuation
- Flexible flow patterns
- 90° or 180° operation.
- Tri-Clamp or Extended Tube OD end connections

Additional features of the SMC9:

- Cavity-Filled Standard
- Locking Handle
- TFM seats Standard
- 316L Grade Body and Ends
- Dual ISO pattern for flexible actuation methods

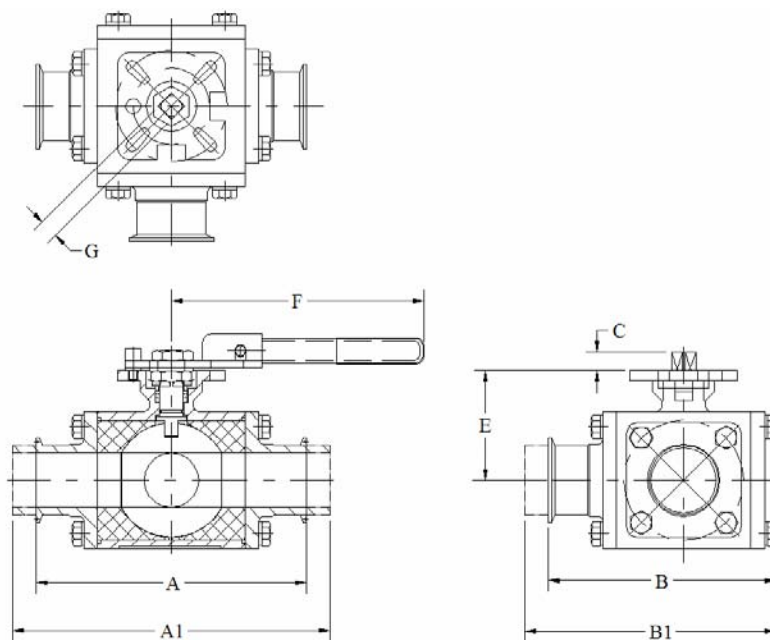
HOW TO ORDER

The following is a general guide to the selection of SMC9 valves.

SIZE	STYLE	BODY/ENDS	BALL/STEM	SEAT	SEAL	ENDS	PATTERN
1/2"	SMC9	6-316L	6-316L	A-TFM	T-TFE	TR = TRICLAMP ETO=EXTENDED TUBE OD	L1, T1 etc. as shown below
3/4"							
1"							
1-1/2"							
2"							
2-1/2"							
3"							
4"							
				T-TFE (OPTIONAL)			

Series SMC9 – Multiported High Purity Valve
Dimensions

Size	Tri Clamp		ETO		C	E	F	G
	A	B	A1	B1				
1/2"	4.65	3.70	6.70	4.72	0.35	1.75	4.76	0.354
3/4"	5.00	4.02	7.21	5.12	0.35	1.89	4.76	0.354
1"	6.00	4.69	7.56	5.47	0.43	2.32	5.40	0.433
1.5"	6.89	5.63	8.90	6.63	0.55	2.83	7.17	0.551
2"	7.88	6.77	9.75	7.52	0.55	3.32	7.17	0.551
2.5"	9.37	7.07	11.13	7.94	0.67	3.94	14.60	0.669
3"	10.71	8.25	13.55	9.67	0.87	4.94	22.00	0.866
4"	Contact SVF							

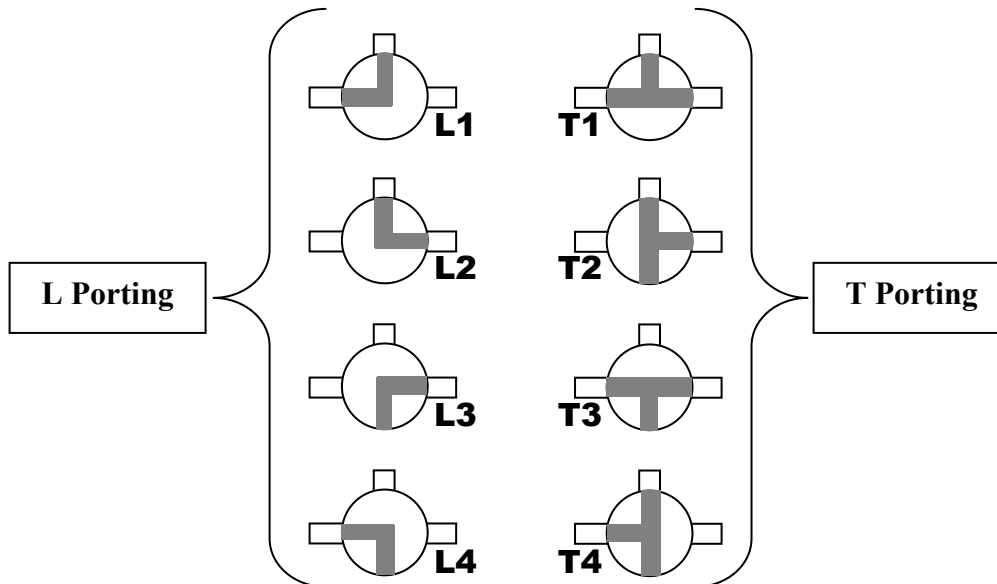


Series SMC9 – Multiported High Purity Valve

Basic Flow Patterns

SMC9 valves feature a 4-seated “universal” shutoff design which provides for a variety of flow patterns.

- Each valve is available with an “L” ported or “T” ported ball. Flow patterns can be created utilizing 90° or 180° of operation.
- Valves may be automated using pneumatic or electric actuators for 90 or 180 degrees of rotation.
- SMC9 valves may be installed and operated in any orientation.
- For 4-ported flow patterns, contact SVF.



The SMC9 is part of a broad family of **SVF** High Purity valve products marketed under the **CleanFLOW** brand. For more information go to our dedicated website www.CleanFlow.net