

# Class 125/250 Iron Body Silent Check Valves

Wafer Style • Renewable Seat and Disc • Spring Actuated

**Class 125, 200 PSI/13.8 Bar Non-Shock Cold Working Pressure**  
**Class 250, 400 PSI/27.6 Bar Non-Shock Cold Working Pressure**  
**Maximum Temperature to 200° F/93° C**

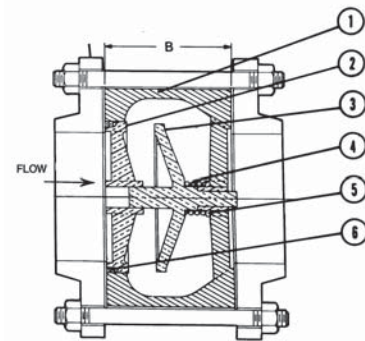
CONFORMS TO MSS SP-71 TYPE 1 •  
 FM APPROVED (CLASS 125)

## MATERIAL LIST

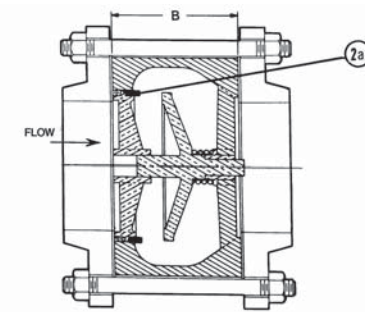
PART	SPECIFICATION
1. Body	Cast Iron ASTM A 126 Class B
2. Seat	Bronze ASTM B 584 Alloy C83600 (B)
2a. Seat	Buna-N Bonded to Bronze (W)
3. Disc	Bronze ASTM B 584 Alloy C83600
4. Spring	Stainless Steel Type 316 ASTM A 313
5. Bushing	6" and smaller ASTM B 16 Alloy C36000
6. Set Screws	Stainless Steel Type 304 ASTM F 879



**W-910 125 lb. Class**  
**W-960 250 lb. Class**



**W-910-B/W-960-B**  
 Wafer



**W-910-W/W-960-W**  
 Wafer

## DIMENSIONS—WEIGHTS—QUANTITIES

Size	Dimensions				W-910		W-960	
	In.	mm.	In.	mm.	Lbs.	Kg.	Lbs.	Kg.
*2	50	127	2.63	67	6	3	6	3
*2½	65	165	2.88	73	7	3	7	3
*3	80	203	3.13	79	12	5	12	5
*4	100	254	4.00	102	18	8	18	8
*5	125	318	4.75	121	27	12	27	12
*6	150	381	5.50	140	42	19	42	19
8	200	508	6.50	165	†85	39	†86	39
10	250	635	8.25	210	†146	66	†137	62

\*NOTE: Sizes 2" thru 6" have dual class ratings (125 lb. and 250 lb.) resulting in W-910 and W-960 being identical. 8" and 12" have special machining in accordance with Flange Class.

316 Stainless Steel Trim available – Consult Factory.

† Class 125 only.

‡ Class 250 only.

USE THIS VALVE ONLY WITH FLAT FACE FLANGE AND FULL FACE GASKET

**WARNING:** 1. Seat end of valve must be mated to a standard flat faced metal flange. Rubber flanges not acceptable.

2. These are not to be used as steam valves.
3. Valves are not to be used near a reciprocating air compressor.
4. Install 5 pipe diameters minimum downstream from pump discharge or elbows to avoid flow turbulence. Flow straighteners may be required in extreme cases.

**NOTE:** On pump discharge, the preferred check valves are an in-line spring loaded, swing design with lever and weight or lever and spring.

Wafer Check valves should be sized for a 3.0 PSI pressure drop.

**W-910-B/W-960-B**  
 Wafer