

Component of State of
 California OSHPD Approved
 Seismic Restraints System


Fig. 109AF - Concrete Insert

Size Range — 3/8" thru 7/8" rod

Material — Carbon Steel

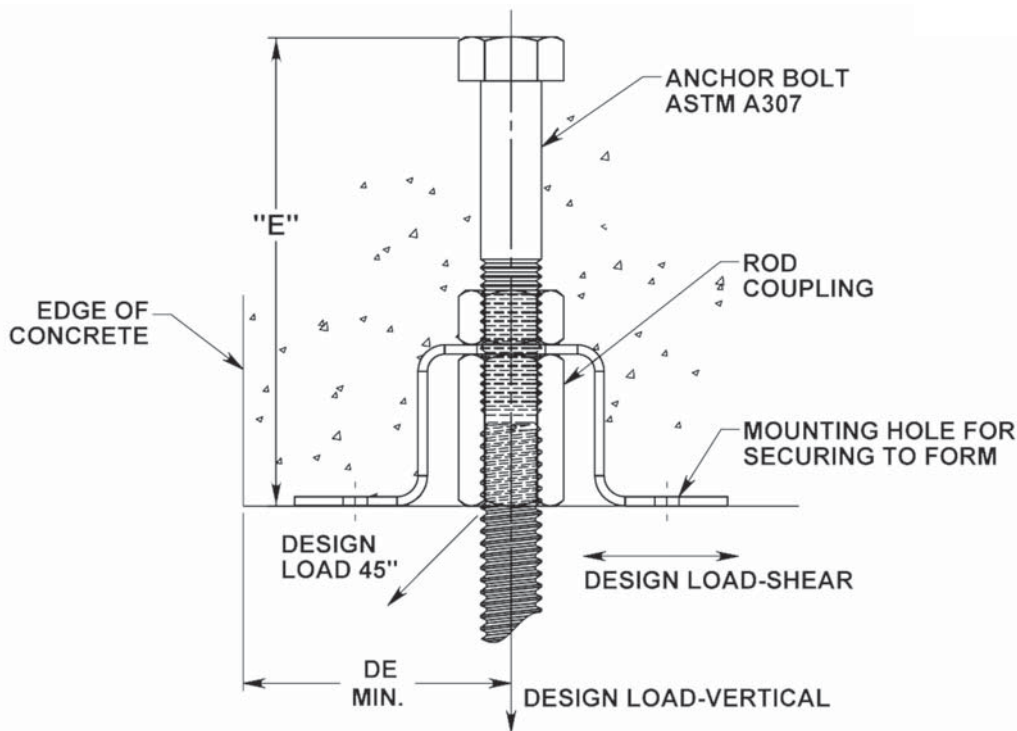
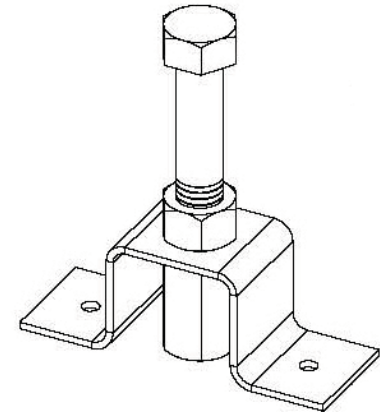
Function — Designed to be embedded in concrete to provide a point of support.

Approvals — Underwriters' Laboratories listed in the USA (**UL**) and Canada (**cUL**) for 3/8" and 1/2". Included in our Seismic Restraints Catalog approved by the State of California Office of Statewide Health Planning and Development (**OSHPD**). For additional load, spacing and placement information relating to OSHPD projects, please refer to the TOLCO Seismic Restraint Systems Guidelines.

Finish — Plain anchor bolt with Electro-Galvanized hardware and plate.

Order By — Figure number, rod size and finish.

Note — The Hex or Jam Nut has NO value in determining the loads. Their function is to assist in locking the Coupling snug to the bottom of the deck form preventing the concrete from leaking into the coupling threads. Any other suitable locking device may be substituted if desired.



Dimensions

Rod Size	Design Load Vertical		Design Load Shear		Design Load 45°		"E" Embedment Depth	De min. (in.)
	Hard Rock	Lt. Wt.	Hard Rock	Lt. Wt.	Hard Rock	Lt. Wt.		
3/8	1255	735	978	733	777	525	3½	2
1/2	2321	1392	978	733	980	679	3½	2
5/8	780	468	1278	958	688	445	4	2
3/4	1346	806	1278	958	927	619	4	2½
7/8	2321	1392	1278	958	1166	803	4	6