

Pipe Pier® Roof Top Supports - Classic Series

Size Range — Series is offered in 4" and 6" heights

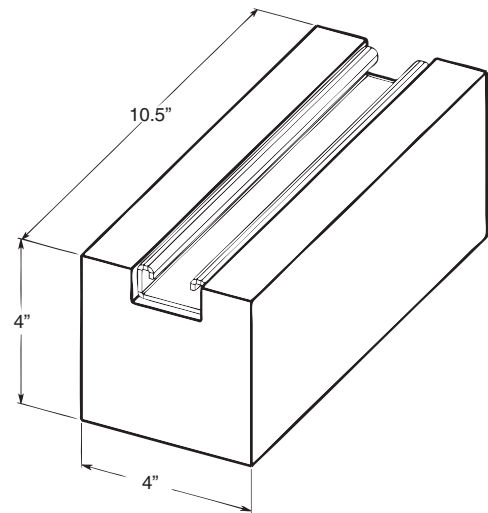
Material — Closed-cell, medium density, black Polyethylene Foam Ethafoam™. C14 Style Galvanized Strut Channel. Hot melt adhesive-bonding sheet metal to foam block.

Application — Designed and engineered specifically for rooftop and raised floor applications. Can be used in hundreds of combinations to solve nearly every pipe support need and allows you to mount breaker and junction boxes safely off the roof level.

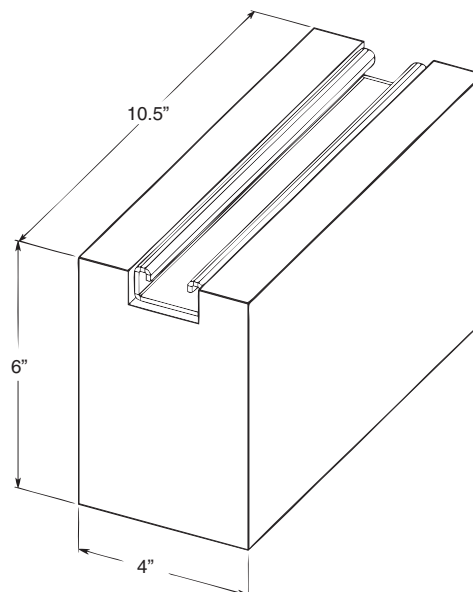
Features and Advantages — UV resistant and weather-proof polyethylene foam block. Accommodates contraction and expansion of piping. Engineered to securely hold pipe, conduit and cable. Absorbs shock and vibrations. May be used with standard strut clamps and accessories. Eliminates on-site cutting, drilling and measuring. Protects roof membrane from damage even when there is no gravel or rock. Ten packs weigh only ten pounds and are easily transported to the roof.

Note — Classic 50H4 stands at a height of 4" and is designed for installation of pipe and conduit with a maximum 50 lb. design capacity. Classic 50H6 stands at a height of 6" and is designed for installation of pipe and conduit with a maximum 50 lb. design capacity.

Order By — Classic 50H4 or Classic 50H6



Classic 50H4



Classic 50H6