

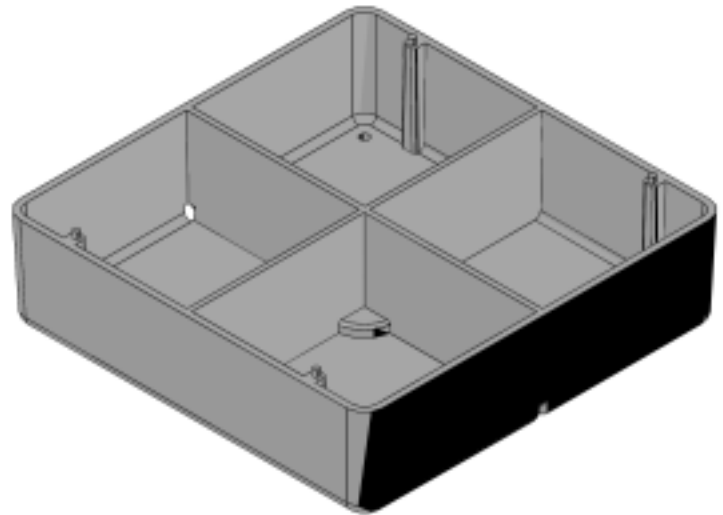
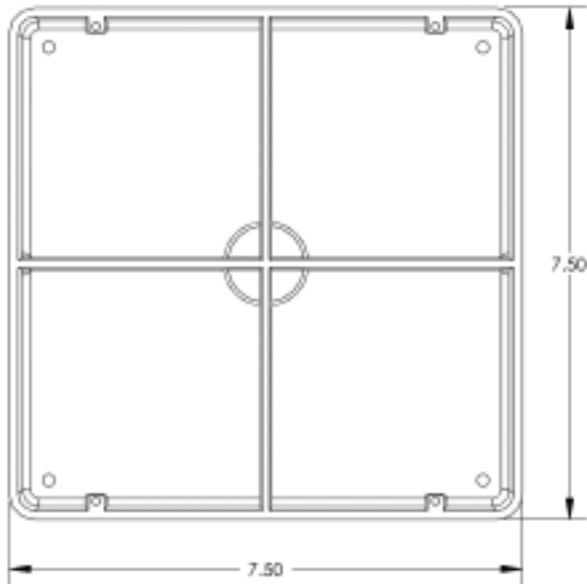
Specification and Data Sheet

Model 3-R Spacer

- Product Name:** PILLOW BLOCK PIPESTAND MODEL 3-R SPACER **NOTE:** Pillowblock pipestand Model 3-R Spacer is only used to stack under the Model 3-R respectively to increase the height of the 3-R and the clearance of the pipe above the roof.
- Manufacturer:** MIRO INDUSTRIES, INC., 2700 South 900 West, Salt Lake City, Utah 84119 Phone (800) 768-6978
Fax (800) 440-7958
- Product Description:** Model No. 3-R Spacer: The Model 3-R Spacer is 7.5" square and the base is gently rounded to prevent gouging the roof. The outer edges are raised 2" and increased elevations may be achieved by stacking the 3-R-2 or 3-R-4 on one or two spacers, each with a height of 2". Two drainage ports are provided to prevent ponding within the device. The dimensional area resting on the roof is 7.25 inches square and 52.56 square inches exist of contact roof support.
- Compatibility:** Pillow Block Pipe stands are recommended and are compatible for use with all current types of decking and with all commonly used built-up and single-ply roofing membranes where roof-mounted pipes occur.
- Load Weight:** Maximum load weight may not exceed 100 lbs. for the 3-R-2 and 3-R-4 pipestands.
- Composition and Materials:** The 3-R Spacer consists of three components: (1) A one-piece roof deck base made of polycarbonate resin with carbon black added for UV resistance and protection, (2) stacking pins, and (3) interior cross hatch support structure.
- Size:** The 3-R Spacer is made in one standard size. The deck base is 7.5" square with a height of 2", the top of the spacer is 2" high. Each 3-R spacer increases the clearance of the pipe by an additional 2".
- Installation:** To install the spacers locate the stacking pins on the spacers and the corresponding holes in the bottom of the 3-R pipestands. Set the pipestands on the spacers making sure that the four pins are snug in the stacking holes and also follow the installation directions for pipestands below.

To install the pillow block pipestands, (1) center the spacer and pipestand beneath the pipe so that the cradle allows the pipe to be squarely over and through the cradle of the pipestand, (2) set the pipe in the pipestand without dropping or causing undue impact. If desired, an additional sheet of roofing material, a MIRO Support Pad, or a MIRO Deck Plate can be installed beneath the pipestand. For built-up roofs, all loose aggregate from an area 12" square should be removed from the area directly beneath the pipestand and then follow the installation directions set forth above.

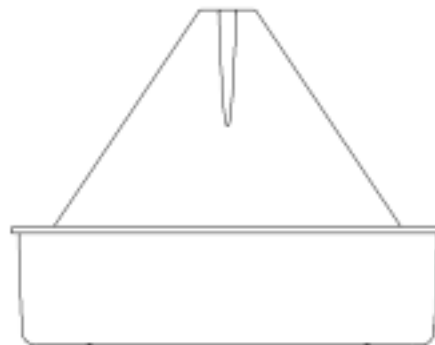
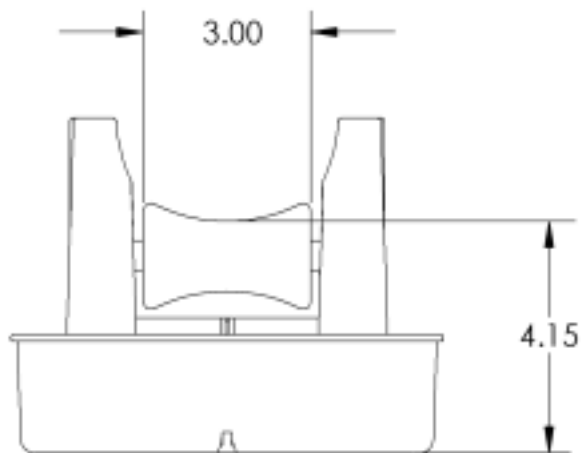
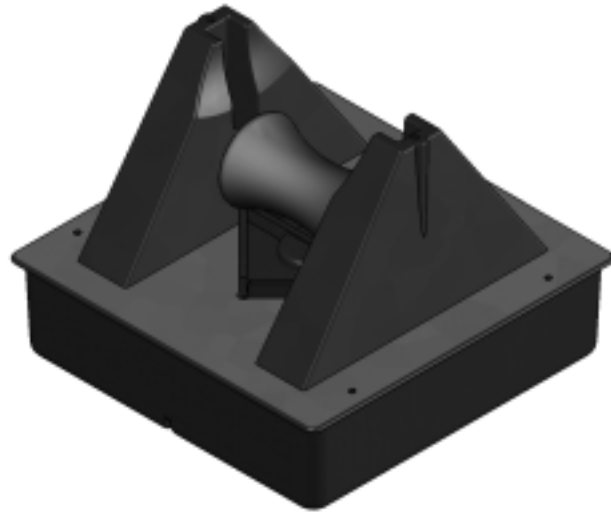
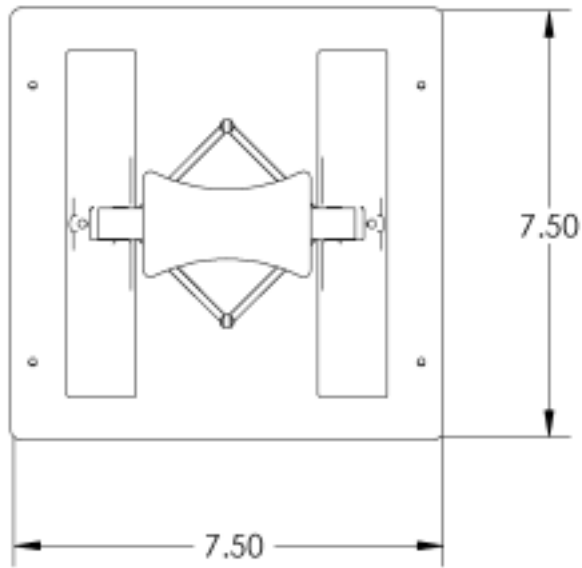
OPTIONAL METHOD OF INSTALLATION (Not recommended): Where code requires or as desired, the pipestands may be attached to the roof by appropriate and compatible rooftop fasteners through holes provided in the bottom of the pipestand pitchpan.
- Spacing:** Manufacturer's recommended spacing is not to exceed 10 feet centers depending upon the load. Make certain each pipestand is properly elevated to even load weight at all pipestands.
- Availability:** Pillow Block Pipestands are marketed throughout the United States through representatives and distributors.
- Maintenance:** Normally maintenance is not required. Semi-annual inspection is required to check pipestand position and set pipe alignment, weight distribution, and improper installation which may cause pipestand damage or failure.
- Technical Services:** Please call MIRO INDUSTRIES, INC.: (800) 768-6978.
www.miroind.com for technical information and for graphic and for CAD drawing downloads.



This document, attachments, and all of the information therein are the property of MIRO Industries, Inc. The information contained is loaned, subject to return upon demand, and is not to be used directly or indirectly in any way detrimental to our interest. Further, the information contained therein shall not be used, in whole or in part, except when allowed by written authorization from MIRO Industries, Inc.

Copyright MIRO Industries, Inc. 2003.

3-R Spacer



This document, attachments, and all of the information therein are the property of MIRO Industries, Inc. The information contained is loaned, subject to return upon demand, and is not to be used directly or indirectly in any way detrimental to our interest. Further, the information contained therein shall not be used, in whole or in part, except when allowed by written authorization from MIRO Industries, Inc.

Copyright MIRO Industries, Inc. 2003.

3-R Spacer