



Ductile Iron Body, 316 SS, Wafer Type Butterfly Valve



Wafer-EPDM

Description

1/4 turn, ten-position locking lever handle operated, epoxy coated ductile iron body, stainless steel disc and stem with EPDM seat butterfly valve.

Features

- Seat to flange seal eliminates the need for flange gaskets
- Wafer-type connection
- Epoxy coated finish
- Ideal for mounting pneumatic/electrical actuators
- Square stem for direct mount
- ISO 5211 mounting pad
- Vacuum service
- Pressure rating: 225 WOG
- Temperature rating: 225°F

Approvals

- API 609 and 598
- MSS SP-67
- ANSI B16.5

Accessories

- 10 position locking lever handle
- Gear operators
- Electrical and pneumatic actuators

Warranty

The Company, for a period of one year from the date of shipment, warrants each product or system of its own manufacture to the original purchaser to be free from defects in material and workmanship under normal use, service and maintenance.

Architect/Engineer approval

Job Name _____ Date _____
Model Specified _____ Quantity _____
Variations Specified _____
Customer/Wholesaler _____
Contractor _____
Architect _____

Note: Information subject to change without notice.

Series 900 - EPDM Seat

Ductile Iron Body, 316 SS, Wafer Type Butterfly Valve



Description

1/4 turn, ten-position locking lever handle operated, epoxy coated ductile iron body, stainless steel disc and stem with EPDM seat butterfly valve.

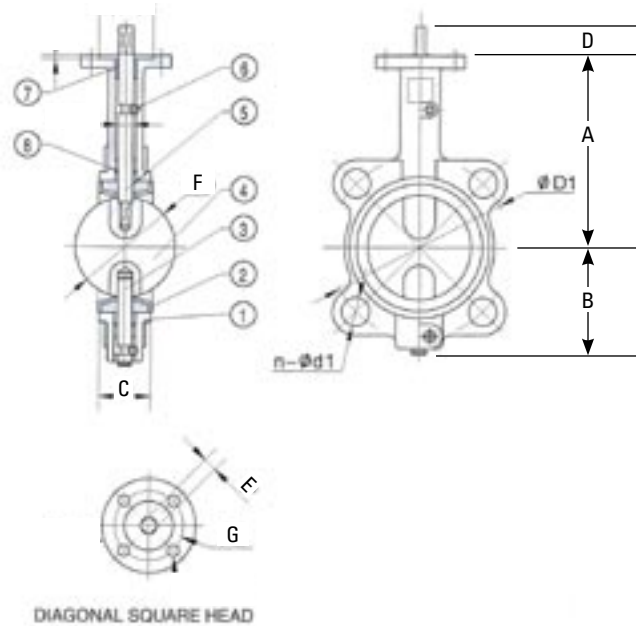
Dimensions in Inches

Computer No.	Valve Size	A	B	C	D	E	F	G	Weight	CV
900-02DSEB	2"	6.34	3.15	1.65	1.20	.35	2.07	1.97	5.50	135
900-0212DSEB	2-1/2"	6.89	3.50	1.76	1.20	.35	2.54	1.97	7.00	220
900-03DSEB	3"	7.13	3.74	1.78	1.20	.35	3.10	1.97	8.14	302
900-04DSEB	4"	7.87	4.49	2.05	1.20	.43	4.10	2.76	10.08	600
900-05DSEB	5"	8.39	5.00	2.14	1.20	.55	4.86	2.76	15.40	1022
900-06DSEB	6"	8.90	5.47	2.20	1.20	.55	6.13	2.76	17.20	1579
900-08DSEB	8"	10.24	6.89	2.39	1.77	.67	7.98	4.02	29.00	3136
900-10DSEB	10"	11.50	7.99	2.58	1.77	.87	9.87	4.02	42.20	5340
900-12DSEB	12"	13.27	9.53	3.03	1.77	.87	11.88	4.02	71.50	8250

Material Specification

No.	Part Name	Materials
1	Body	Ductile Iron
2	Seat	EPDM
3	Lower Stem	416 Stainless Steel
4	Disc	316 Stainless Steel
5	Upper Stem	416 Stainless Steel
6	Locating Pin	Cast Steel
7	Bushing	PTFE
8	O-ring	EPDM

Size	Flow in Gpm @ 1PSI P @ Various Disc Angles								
	10°	20°	30°	40°	50°	60°	70°	80°	Full 90°Open
2"	0.1	5	12	24	45	64	90	125	135
2.5"	0.2	8	20	37	65	98	144	204	220
3"	0.3	12	22	39	70	116	183	275	302
4"	0.5	17	36	78	139	230	364	546	600
5"	0.8	29	61	133	237	392	620	930	1022
6"	2	45	95	205	366	605	958	1437	1579
8"	3	89	188	408	727	1202	1903	2854	3136
10"	4	151	320	694	1237	2047	3240	4859	5340
12"	5	234	495	1072	1911	3162	5005	7505	8250



Note: Information subject to change without notice.



Jomar International Ltd.
7243 Miller Drive
Warren, MI 48092
Phone: 800-325-5690
Fax: 800-628-4194
www.jomar.com

© Copyright 2006 Printed in U.S.A.
Wafer-EPDM
04/06