

125-LWN



System-2® Lockwing Gas Service Ball Valve



ISO EN 9001:2000



125-LWN



125-LWN MxF

Description

The **125 LWN** features Jomar's proven hot forged brass, 100% full port, maintenance free (no lubrication required), ball valve design. An inexpensive alternative for meter applications.

Features

125-LWN is available in 3/4" & 1" female x female, 1" male x female (NPT).

Approvals

Economical valve system suited for natural gas utilities. Temperature range: -40°F to 366°F. Service designation: 125 PSIG

- 100% full port
- Hostafion®-TFM 1600 Seats
- Tamper resistant lockwing cap
- Double Viton® Stem O-rings
- 100% leak tested
- CSA certified
- Applicable parts meet or exceed DOT 192 and ANSI B16.33
- Threads conform to ANSI B1.20.1

Options

- Brass or AGA painted gray finish

Warranty

The Company, for a period of one year from the date of shipment, warrants each product or system of its own manufacture to the original purchaser to be free from defects in material and workmanship under normal use, service and maintenance.

Note: Information subject to change without notice.



Jomar International Ltd.
7243 Miller Drive
Warren, MI 48092
Phone: 800-325-5690
Fax: 800-628-4194
www.jomar.com

© Copyright 2006 Printed in U.S.A.
125-LWN
0406

125-LWN

System-2® Lockwing Gas Service Ball Valve

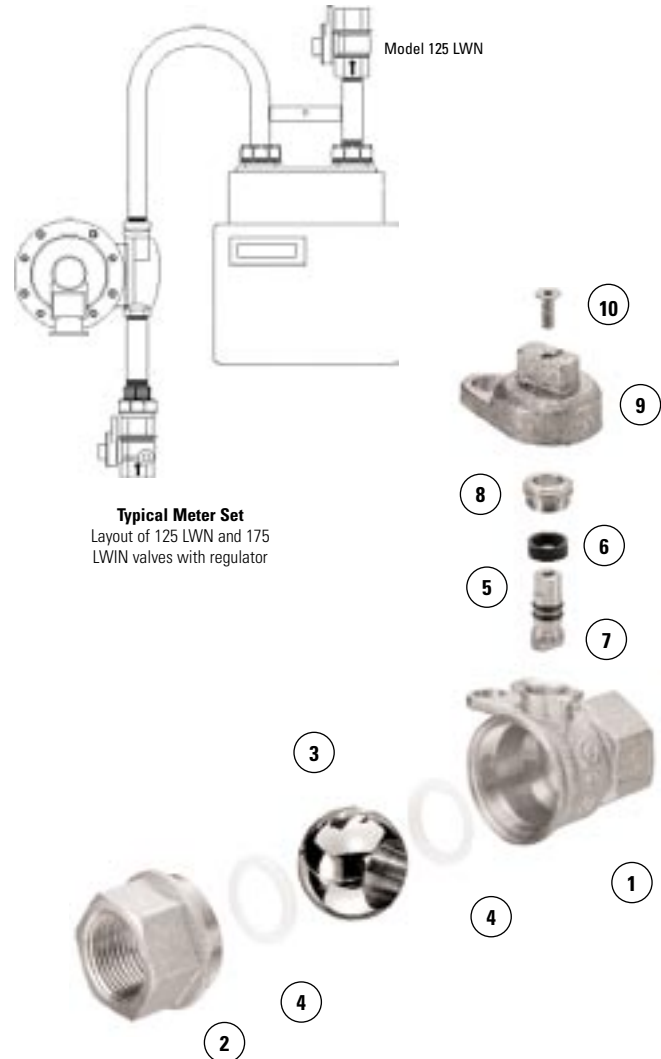
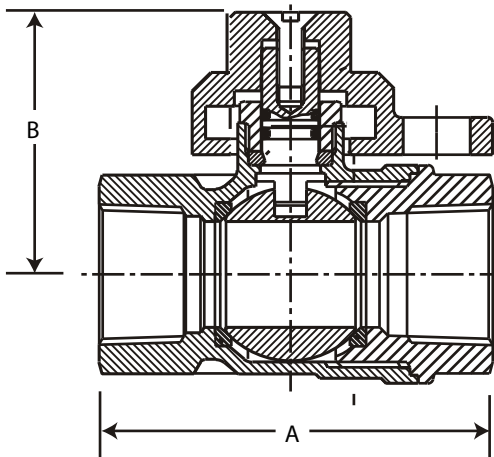
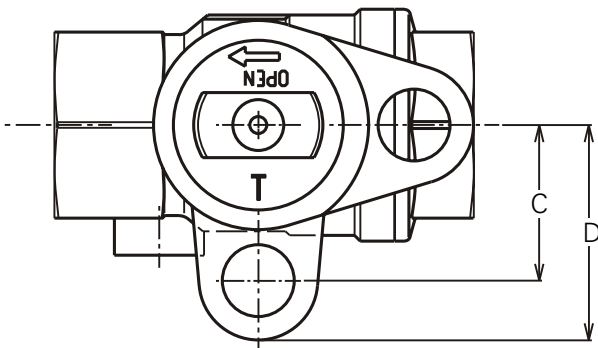


Dimensions in Inches

Computer Number	Valve Size	A	B	C	D
125 LWN					
242-004B	3/4"	2.74	1.87	1.08	1.50
242-004P	3/4"	2.91	1.87	1.08	1.50
242-005B	1"	3.40	2.24	1.30	1.73
242-005P	1"	3.82	2.46	1.50	1.93
125 LWN MxF					
246-005	1"	3.73	2.24	1.30	1.73

Material Specifications

Item	Part Name	Material
1	Body	Forged Brass
2	End Adapter	Forged Brass
3	Ball	Chrome Plated Forged Brass
4	Seats (2)	Hostafion®-TFM 1600
5	Stem	Extruded Brass
6	Stem Packing	Virgin PTFE
7	Stem O-rings (2)	Viton*
8	Gland Follower	Brass
9	Lock Wing Cap	Brass
10	Screw	304 Stainless Steel



Note: Information subject to change without notice.



Jomar International Ltd.
7243 Miller Drive
Warren, MI 48092
Phone: 800-325-5690
Fax: 800-628-4194
www.jomar.com

© Copyright 2006 Printed in U.S.A.
125-LWN
0406