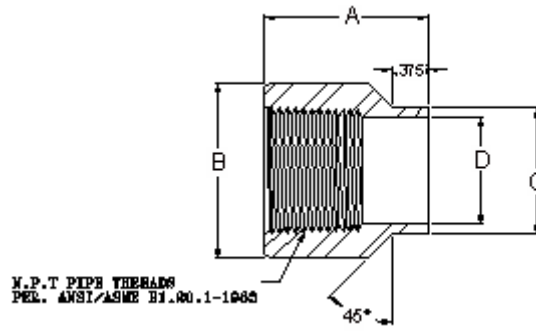


Penn Machine

Class 6000 Threaded Couplet



PENN CATALOG FIG NO. 06018

PIPE SIZE	1/4	3/8	1/2	3/4	1	1-1/4	1-1/2	2	2-1/2	3	4
Dimension A	1.187	1.187	1.312	1.375	1.688	1.875	2.000	2.250	2.500	2.750	3.000
Dimension B	1.000	1.250	1.500	1.750	2.250	2.500	3.000	3.625	4.250	5.000	6.250
Dimension C	.688	.812	.938	1.063	1.312	1.688	1.938	2.438	2.875	3.500	4.500
Dimension D	7/16	9/16	45/64	29/32	1-9/64	1-15/32	1-11/16	2-3/16	2-9/16	3-3/16	4-3/16
Approx. Wt. (lbs)	.151	.250	.326	.425	.898	1.183	2.061	3.063	3.348	4.065	4.983

[Fitting catalog](#) | [Product catalog](#) | [Request quote/information](#) | [Home](#)

Web site created by Penn Machine. Send questions or comments to [James Friant](#).