



Solderless® Compression End Ball Valve

ISO EN 9001:2000

Description

1/4 turn lever handle operated, brass body, standard port, blowout proof stem, 2-piece body design.

Features

- Drain feature prevents freeze-up
- Eliminates seat damage during soldering
- Compression ends ease maintenance
- Heavy-duty cast brass body
- Chrome-plated brass ball
- Blow-out proof stem
- Adjustable packing nut
- Pressure rating: 400 WOG / 150 WSP

Warranty

The Company, for a period of one year from the date of shipment, warrants each product or system of its own manufacture to the original purchaser to be free from defects in material and workmanship under normal use, service and maintenance.



C-402

Architect/Engineer approval

Job Name _____ Date _____
Model Specified _____ Quantity _____
Variations Specified _____
Customer/Wholesaler _____
Contractor _____
Architect _____

Note: Information subject to change without notice.



Jomar International Ltd.
7243 Miller Drive
Warren, MI 48092
Phone: 800-325-5690
Fax: 800-628-4194
www.jomar.com

© Copyright 2006 Printed in U.S.A.
C-402
0406

Solderless® Compression End Ball Valves



Description

1/4 turn lever handle operated, brass body, standard port, blowout proof stem, 2-piece body design.

Dimensions in Inches

Computer No.	Valve Size	A	B	C	D	CV†
102-653	1/2"	2.99	1.50	.39	3.31	8
102-654	3/4"	3.03	1.62	.59	3.31	20
102-655	1"	3.59	2.01	.79	4.65	26

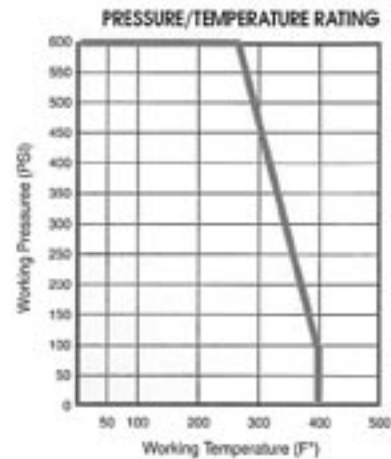
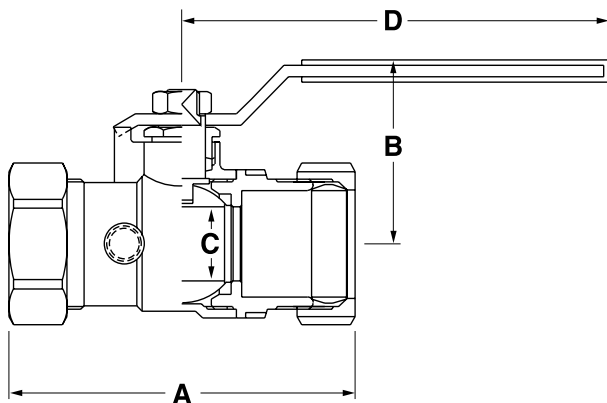
† The CV Factor is the gallons of water per minute passed through the valve with a 1 PSI pressure drop.

Material Specification

No.	Part Name	Materials
1	Handle Nut	Steel
2	Handle	Steel
3	Packing Nut	Extruded Brass
4	Packing	PTFE
5	Stem	Forged Brass
6	Stem Packing	PTFE
7	Ball	Chrome-plated Brass
8	Body	Forged Brass
9	Compression Nuts	Brass
10	Compression Sleeves	Brass Tube
11	Bleeder Cap	Brass
12	Drain Packing	BUNA-N
13	Seats (2)	PTFE

Pressure Rating

400 WOG Non Shock
150 WSP



Note: Information subject to change without notice.



Jomar International Ltd.
7243 Miller Drive
Warren, MI 48092
Phone: 800-325-5690
Fax: 800-628-4194
www.jomar.com

© Copyright 2006 Printed in U.S.A.
C-402
0406