

Maximum Pipe Size:	
2.5"	Inside diameter
3"	Outside diameter

Specification and Data Sheet

Model No. 2.5-Conduit Support-2

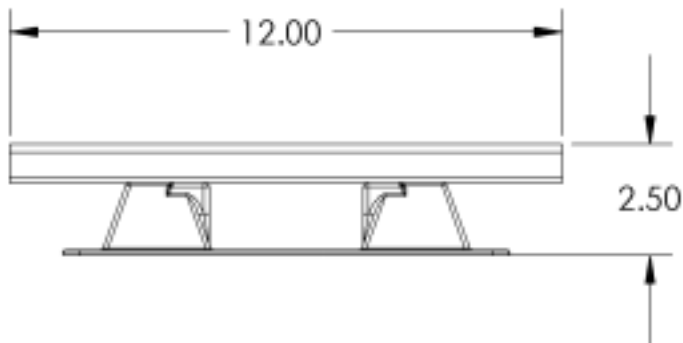
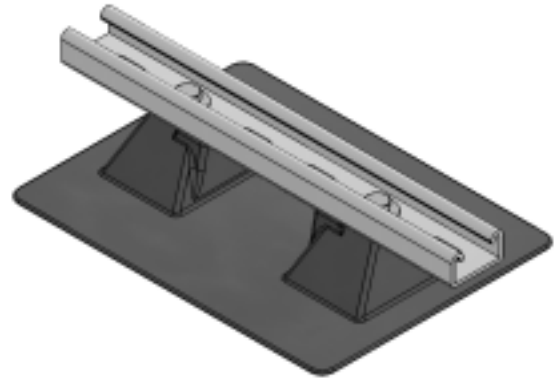
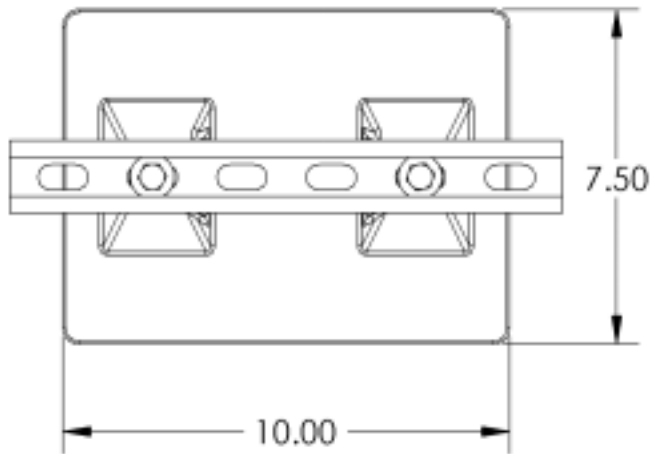
Model No. 2.5-Conduit Support-5

Model No. 2.5-Conduit Support-7

Model No. 2.5-Conduit Support-12

1. **Product Name:** PILLOW BLOCK PIPESTAND MODELS 2.5-Conduit Support-2, 2.5-Conduit Support-5, 2.5-Conduit Support-7 and 2.5-Conduit Support-12. **NOTE:** Pillowblock pipestand model numbers correspond to usual pipe names. Pipe that is called 2.5" pipe has a 2.5" inside diameter and a larger outside diameter. Model 2.5-Conduit Supports will hold all usual and customary 2.5" and smaller pipe sizes, referring to the inside diameter. The maximum outside dimension of the pipe or conduit the Model 2.5 Conduit Support will hold is 3" diameter.
2. **Manufacturer:** MIRO INDUSTRIES, INC., 2700 South 900 West, Salt Lake City, Utah 84119 Phone (800) 768-6978
Fax (800) 440-7958
3. **Product Description:** A pipe support with "strut" used to support roof-mounted electrical conduit, solar piping, gas pipes, and other mechanical piping. Unique design absorbs thermal expansion and contraction of pipes thus preventing damage to the roof membrane. Pipes rest on a strut system which is made of hot-dip galvanized steel. The pipe support base is made of polycarbonate resin, and all other metal parts are made of hot-dip galvanized or stainless steel. Pipestand will accommodate up to 2.5 pipe (inside diameter) or up to 3" outside diameter pipes.
4. **Product Performance:** This strut and shape of the supporting base serve to keep the pipestand roller system directly beneath the pipe without binding and allows for some lateral expansion of the piping system. The base is gently rounded to allow movement upon the roof to prevent gouging the roof membrane. Clearance above the roof for the 2.5-Conduit Support-2 is 2.5 inches, the 2.5-Conduit Support-5 is adjustable from 3.25 inches to 5 inches. Clearance for the 2.5-Conduit Support-7 is adjustable from 3.25 to 7.50 inches. Clearance for the 2.5-Conduit Support-12 is adjustable from 5.5 to 12 inches. More than one conduit or pipe may be ganged on the pipe support and attached with typical pipe clamps or clips so long as the total load weight per support does not exceed 100 pounds.
5. **Compatibility:** Pillow Block Pipestands are recommended for use on and are compatible with all current types of decking and with all commonly used built-up and single-ply roofing membranes where roof-mounted pipes occur.
6. **Load Weight:** Maximum load weight may not to exceed 100 lbs. per pipestand.
7. **Composition and Materials:** The pipestand consists of two major components: (1) A one-piece polycarbonate roof deck base housing and, for the 2.5-Conduit Support, all thread are connected to the base to adjust the height of the strut, and (2) a 12" by 5/8" by 13/16" hot-dip galvanized strut to support the attached conduit or pipe. Carbon black is added to the polycarbonate resin for UV resistance and protection.
8. **Size:** The deck base is 7.50" by 10" or the 2.5-CS-12 is 9" by 15.25" and the strut is 1-5/8" by 13/16" and 12 inches long. 2.5-Conduit Support has a maximum pipe clearance of 2.5", 5", 7" and 12" from bottom of pipe support.
9. **Installation:** (1) Center the pipestand beneath the pipe so that the strut allows the pipe to be squarely over the pipestand. (2) Adjust the pipestand to the desired height and even load with other pipestands. Make certain the strut is level. (3) Set the pipe in the pipestand without dropping or causing undue impact. An additional sheet of roofing material, a traffic pad, or a MIRO Deck Plate should be installed beneath the pipestand. For built-up roofs, all loose aggregate from an area 15" square should be removed from the area directly beneath the pipestand and then follow the installation directions set forth above. Care should be taken to install each pipestand so it supports a proportional and equal amount of weight at each pipestand.

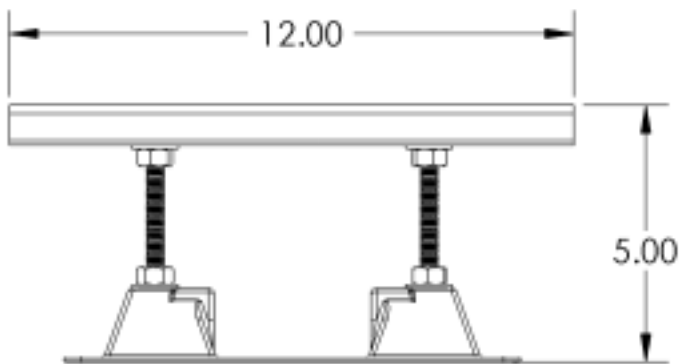
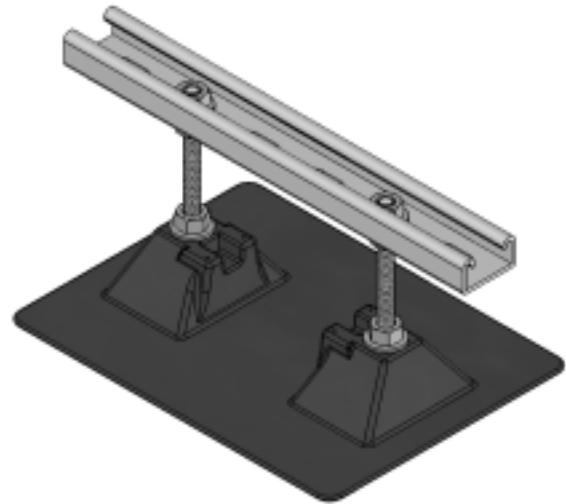
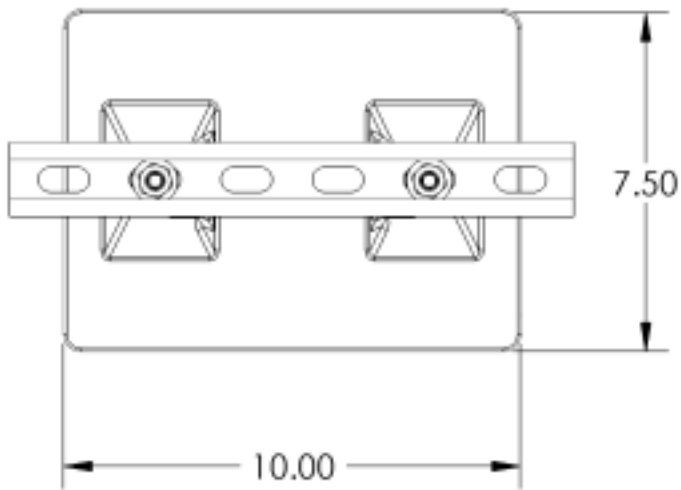
OPTIONAL METHOD OF INSTALLATION (Not recommended): Where code requires or as desired, the pipestands may be attached to the roof by appropriate and compatible rooftop fasteners.
10. **Spacing:** Manufacturer's recommended spacing is not to exceed 10 foot centers depending upon the load. Do not exceed 100 lbs. load weight and make certain each pipestand is adjusted in height to even load.
11. **Availability:** Pillow Block pipestands are marketed throughout the United States through representatives and distributors.
12. **Maintenance:** Normally maintenance is not required. Semi-annual inspection is required to check pipestand position and set pipe alignment, weight distribution and improper installation which may cause pipestand damage or failure.
13. **Technical Services:** Please call MIRO INDUSTRIES, INC.: (800) 768-6978.
www.miroind.com for technical information and for graphic and for CAD drawing downloads.



This document, attachments, and all of the information therein are the property of MIRO Industries, Inc. The information contained is loaned, subject to return upon demand, and is not to be used directly or indirectly in any way detrimental to our interest. Further, the information contained therein shall not be used, in whole or in part, except when allowed by written authorization from MIRO Industries, Inc.

Copyright MIRO Industries, Inc. 2003.

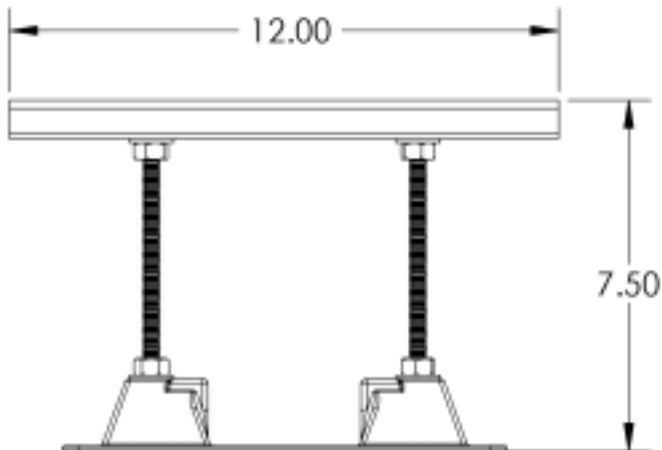
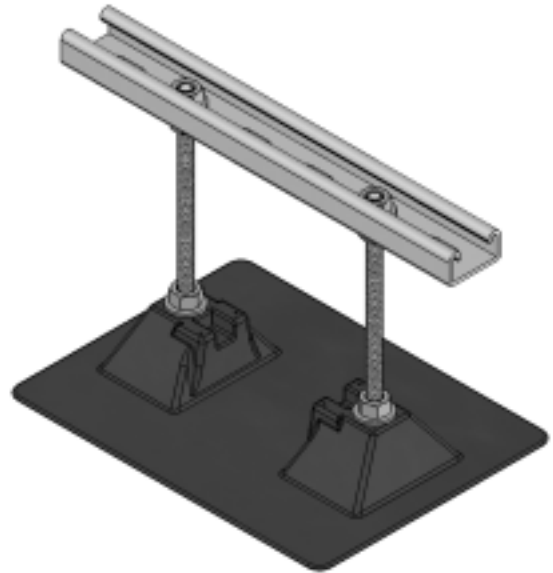
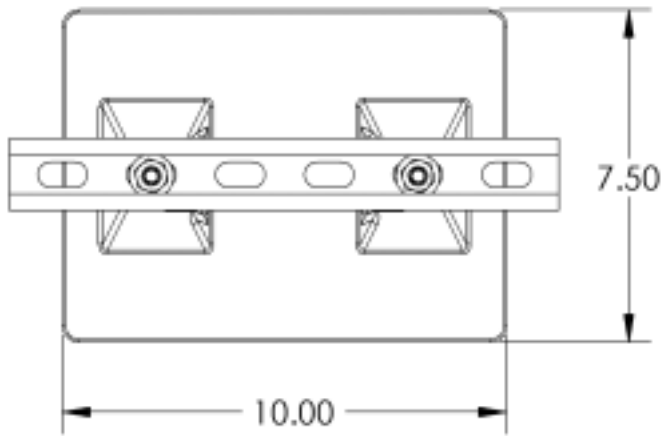
2.5-Conduit Support-2



This document, attachments, and all of the information therein are the property of MIRO Industries, Inc. The information contained is loaned, subject to return upon demand, and is not to be used directly or indirectly in any way detrimental to our interest. Further, the information contained therein shall not be used, in whole or in part, except when allowed by written authorization from MIRO Industries, Inc.

Copyright MIRO Industries, Inc. 2003.

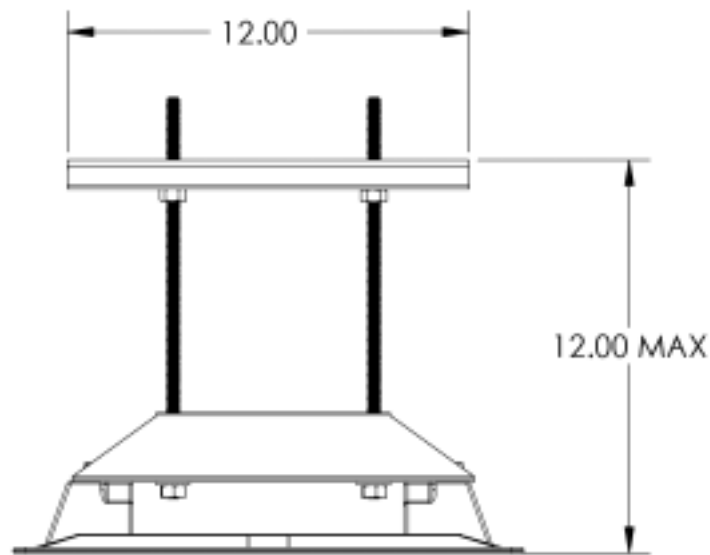
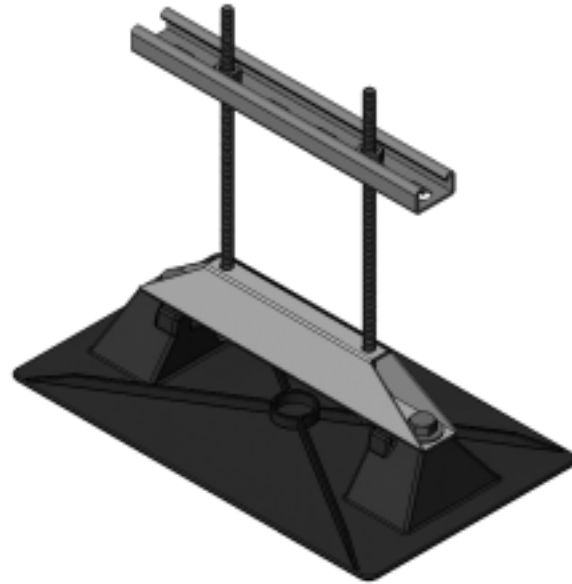
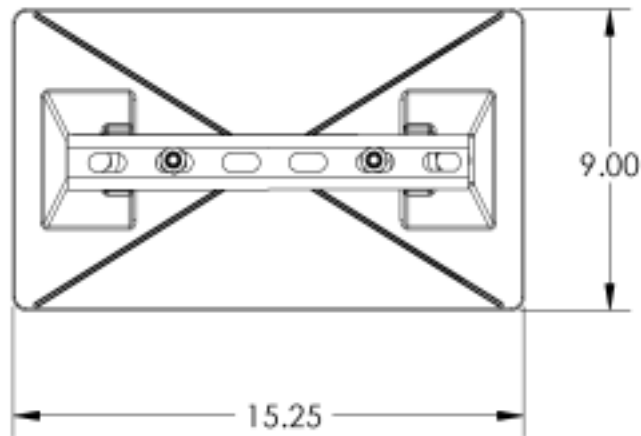
2.5-Conduit Support-5



This document, attachments, and all of the information therein are the property of MIRO Industries, Inc. The information contained is loaned, subject to return upon demand, and is not to be used directly or indirectly in any way detrimental to our interest. Further, the information contained therein shall not be used, in whole or in part, except when allowed by written authorization from MIRO Industries, Inc.

Copyright MIRO Industries, Inc. 2003.

2.5-Conduit Support-7



This document, attachments, and all of the information therein are the property of MIRO Industries, Inc. The information contained is loaned, subject to return upon demand, and is not to be used directly or indirectly in any way detrimental to our interest. Further, the information contained therein shall not be used, in whole or in part, except when allowed by written authorization from MIRO Industries, Inc.

Copyright MIRO Industries, Inc. 2003.

2.5-Conduit Support-12