

# Moniteur

## **SCOUT Compact VPC for DeviceNet**

### **Compact Valve Position Monitoring and Built-in Solenoid Integration with EASYConnect For Your Valve Monitor Network**



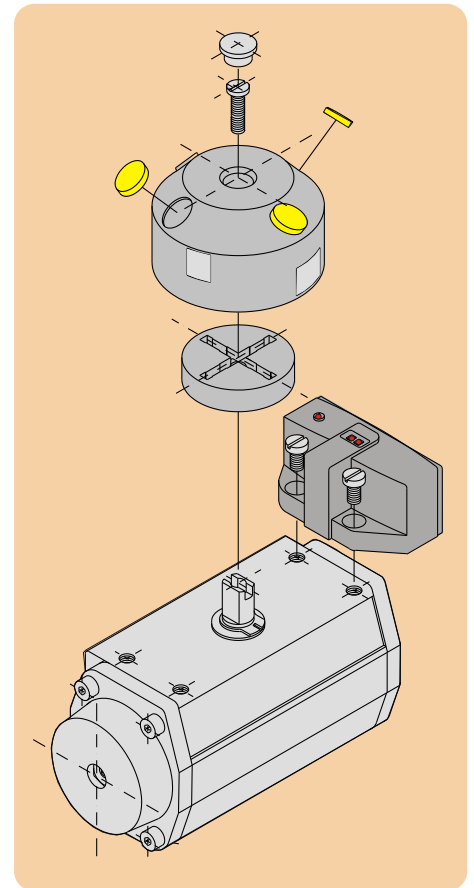
The SCOUT Valve Position Controller's approach to low profile position sensing is a millenium-sized advance for the NAMUR style actuator market. Incorporating SCOUT VPCs advances your automated valves into the DeviceNet networking arena!

#### **Features**

- **DeviceNet module is integral with the Sensor Block** and provides each automated valve with a unique address on the network.
- **Solid State Inductive Sensors** standard on SCOUT VPCs provide a virtually unlimited cycle life.
- **Fully Enclosed Sensor Electronics** with no exposed resins make the Scout the ideal choice for corrosive, humid or washdown environments.
- **Moniteur's EASYConnect solenoid mounting** allows solenoid power to be routed through the sensor block, making additional junction housings unnecessary.
- **Indicator LEDs located on the sensor block** verify network, sensor and solenoid operation, and valve position locally.
- **Simple Installation** - The Position Transmitter target mounts directly to the NAMUR output shaft of your actuator, while the sensor block mounts to the holes. No adjustment or calibration is required once the VPT has been installed.
- **Available complementary cables and connectors** take the guesswork out of selecting the right accessories for your Scout.

#### **Mounting**

- The position indicator kit includes the target puck and all mounting hardware for actuators with NAMUR accessory mounting. See exploded diagram at right.
- Scout VPCs with EASYConnect include 18" flying leads and an optional DIN solenoid connector to complete your automated valve package.



# Moniteur

## SCOUT Compact VPC for ASi and DeviceNet

### Intelligent Part Number System



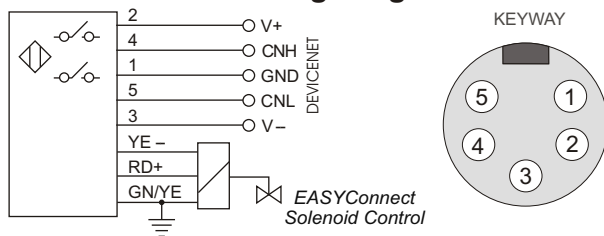
**Base unit includes:** Double Sensor Module      Target For 80 x 30 Actuator  
SS Mounting Hardware      Male Connector According to Sensor Type

Description	Code	Description	Code	Description	Code
Series: Scout	SC	<b>EASY IN:</b> With Male Connector	C	<b>Target</b> 80 x 30	1
Sensor Block DeviceNet	D	<b>EASY OUT:</b> 18 in. Flying Leads for Solenoid	E	130 x 30	2

### Specifications

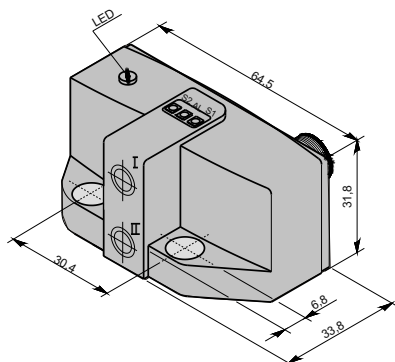
EASYConnect In:	5-pin Mini	Sensing Range	3 mm
EASYConnect Out:	Flying Leads	Hysteresis	5% typical
Input / Output	DeviceNet 2 in / 1 out	Repeatability	0.01mm
Voltage Range	24 VDC +/- 10%	Local indication	4 LEDs: solenoid, sensors (2) network
Current Consumption	>50 mA	Bit Allocation	Rx 1 byte      bit 0: sensor 1 bit 1: sensor 2 Tx 1 byte      bit 0: output
Switched Current Output	200 mA @ 24 VDC	Temperature Rating	-40° F - 160° F
		Body material	PBT/VO thermoplastic
		Environmental Rating	Nema 4, 4x / IP 67
		CE Mark	Yes
		Weight	0.5 lb.

### Wiring Diagram

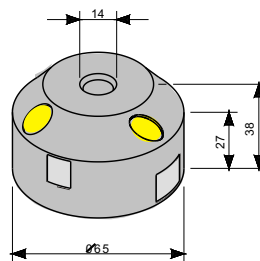


### Dimensions (mm)

#### Sensor Block



#### Target For 80 x 30 mm



#### Target For 130 x 30 mm

