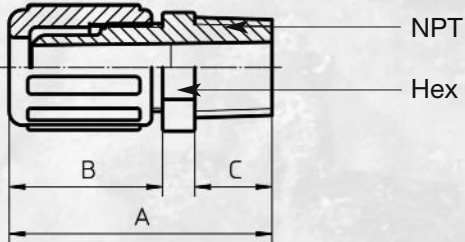
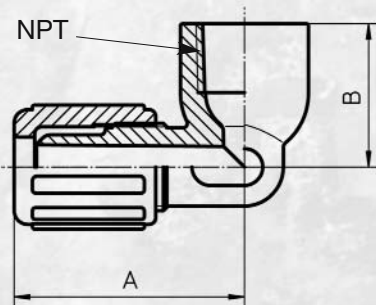


## ULTRA PURE PFA TUBE FITTINGS



**Male connector**

Fitting type **	O.D. Tube size	Male NPT size	Orifice mm (inch)	A mm (inch)	B mm (inch)	C mm (inch)	Hex
FMC 75 4-2 HP	1/4"	1/8"	3.30 (0.13")	51.50 (2.03")	30.50 (1.20")	14.00 (0.55")	5/8"
FMC 75 4-4 HP	1/4"	1/4"	3.30 (0.13")	49.70 (1.95")	28.70 (1.12")	14.00 (0.55")	5/8"
FMC 75 6-4 HP	3/8"	1/4"	6.35 (0.25")	52.20 (2.06")	30.90 (1.22")	14.30 (0.56")	15/16"
FMC 75 6-6 HP	3/8"	3/8"	6.35 (0.25")	52.20 (2.06")	30.90 (1.22")	14.30 (0.56")	15/16"
FMC 75 6-8 HP	3/8"	1/2"	6.35 (0.25")	55.00 (2.17")	30.90 (1.22")	17.10 (0.67")	15/16"
FMC 75 8-4 HP	1/2"	1/4"	5.84 (0.23")	55.50 (2.19")	34.50 (1.36")	14.00 (0.55")	15/16"
FMC 75 8-6 HP	1/2"	3/8"	7.85 (0.31")	55.30 (2.18")	34.50 (1.36")	13.80 (0.54")	15/16"
FMC 75 8-8 HP	1/2"	1/2"	9.65 (0.38")	58.30 (2.30")	34.90 (1.37")	16.80 (0.66")	15/16"
FMC 75 12-8 HP	3/4"	1/2"	10.90 (0.43")	62.60 (2.46")	38.00 (1.50")	17.60 (0.69")	13/16"
FMC 75 12-8 HP	3/4"	1/2"	10.90 (0.43")	62.60 (2.46")	38.00 (1.50")	17.60 (0.69")	13/16"
FMC 75 12-12 HP	3/4"	3/4"	15.75 (0.62")	62.60 (2.46")	38.00 (1.50")	17.60 (0.69")	13/16"
FMC 75 16-12 HP	1"	3/4"	15.75 (0.62")	68.20 (2.68")	44.20 (1.74")	17.60 (0.69")	17/16"
FMC 75 16-16 HP	1"	1"	15.75 (0.62")	73.90 (2.91")	45.30 (1.78")	21.60 (0.85")	17/16"
FMC 75 20-16 HP	1 1/4"	1"	27.90 (1.09")	89.90 (3.50")	50.00 (1.97")	21.60 (0.85")	-



**Female elbow**

Fitting type **	O.D. Tube size	Female NPT size	Orifice mm (inch)	A mm (inch)	B mm (inch)
FFE 75 8-8 HP	1/2"	1/2"	9.56 (0.38")	51.00 (2.01")	31.00 (1.22")