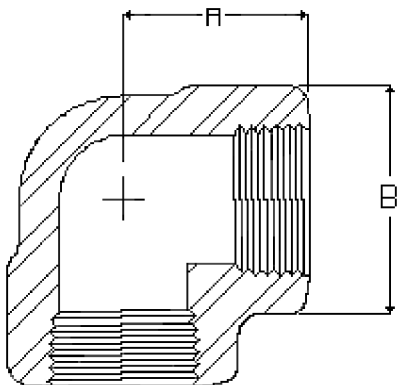


Penn Machine

Class 3000 Threaded 90



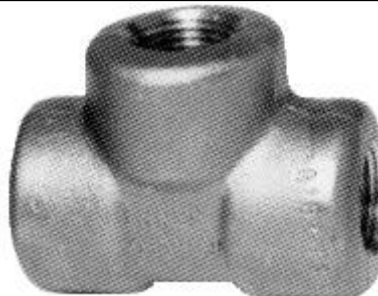
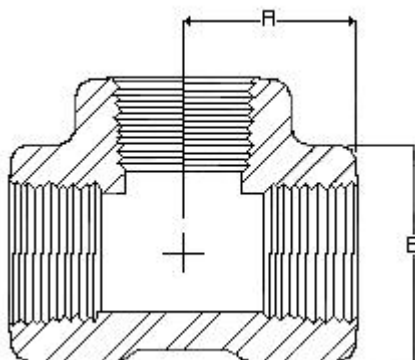
PENN CATALOG F2002 FIG NO. 03001
ASME-B16.11-2001

[Click here for the reducing fitting correct ordering practice](#)

Nominal Pipe Size	1/8"	1/4"	3/8"	1/2"	3/4"	1"	1-1/4"	1-1/2"	2"	2-1/2"	3"	3-1/2"	4"
Dimension A	7/8	31/32	1-1/8	1-5/16	1-1/2	1-3/4	2	2-3/8	2-1/2	3-1/4	3-3/4	4-3/16	4-3/16
Dimension B	7/8	1-1/16	1-5/16	1-1/2	1-13/16	2-3/16	2-1/2	3	3-5/16	4	4-3/4	5-7/8	5-7/8
Approx.Wt. (lbs)	.20	.33	.61	.92	1.47	2.33	2.98	5.72	6.53	11.03	18.83	29.37	24.05

Penn Machine

Class 3000 Threaded Tee



PENN CATALOG F2002 FIG NO. 03002
ASME-B16.11-2001

[Click here for the reducing fitting correct ordering practice](#)

Nominal Pipe Size	1/8"	1/4"	3/8"	1/2"	3/4"	1"	1-1/4"	1-1/2"	2"	2-1/2"	3"	3-1/2"	4"
Dimension A	7/8	31/32	1-1/8	1-5/16	1-1/2	1-3/4	2	2-3/8	2-1/2	3-1/4	3-3/4	4-3/16	4-3/16
Dimension B	7/8	1-1/16	1-5/16	1-1/2	1-13/16	2-3/16	2-1/2	3	3-5/16	4	4-3/4	5-7/8	5-7/8
Approx.Wt. (lbs)	.31	.45	.78	1.20	1.87	2.95	3.92	7.35	7.58	14.61	22.82	36.19	28.02

[Fitting catalog](#) | [Product catalog](#) | [Request quote/information](#) | [Home](#)

Web site created by Penn Machine. Send questions or comments to [James Friant](#).