

## Series 600 - PTFE Seat



# Ductile Iron Body, 316 SS, Lug Type Butterfly Valve

### Description

1/4 turn, ten-position locking lever handle operated, epoxy coated ductile iron body, stainless steel disc and stem with PTFE seat butterfly valve.

### Features

- Seat to flange seal eliminates the need for flange gaskets
- Lug-type connection
- Dead-end service (single flange)
- Epoxy coated finish
- Ideal for mounting pneumatic/electrical actuators
- Square stem for direct mount
- ISO 5211 mounting pad
- Vacuum service
- Pressure rating: 225 WOG
- Temperature rating: 225°F

### Approvals

- API 609 and 598
- MSS SP-67
- ANSI B16.5

### Accessories

- 10 position locking lever handle
- Gear operators
- Electrical and pneumatic actuators

### Warranty

The Company, for a period of one year from the date of shipment, warrants each product or system of its own manufacture to the original purchaser to be free from defects in material and workmanship under normal use, service and maintenance.



Lug-PTFE

#### Architect/Engineer approval

Job Name \_\_\_\_\_ Date \_\_\_\_\_  
Model Specified \_\_\_\_\_ Quantity \_\_\_\_\_  
Variations Specified \_\_\_\_\_  
Customer/Wholesaler \_\_\_\_\_  
Contractor \_\_\_\_\_  
Architect \_\_\_\_\_

Note: Information subject to change without notice.



Jomar International Ltd.  
7243 Miller Drive  
Warren, MI 48092  
Phone: 800-325-5690  
Fax: 800-628-4194  
www.jomar.com

© Copyright 2006 Printed in U.S.A.  
Lug-PTFE  
04/06

# Series 600 - PTFE Seat

## Ductile Iron Body, 316 SS, Lug Type Butterfly Valve



### Description

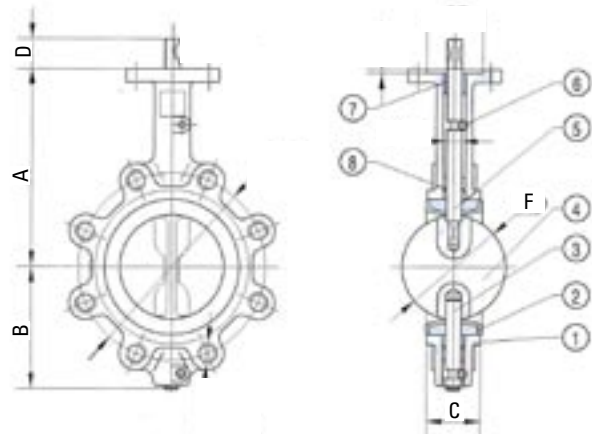
1/4 turn, ten-position locking lever handle operated, epoxy coated ductile iron body, stainless steel disc and stem with PTFE seat butterfly valve.

### Dimensions in Inches

Computer No.	Valve Size	A	B	C	D	E	F	G	Weight	CV
600-02DSPB	2"	6.34	3.15	1.65	1.20	.35	2.07	1.97	8.38	135
600-0212DSPB	2-1/2"	6.89	3.50	1.76	1.20	.35	2.54	1.97	9.26	220
600-03DSPB	3"	7.13	3.74	1.78	1.20	.35	3.10	1.97	10.36	302
600-04DSPB	4"	7.87	4.49	2.05	1.20	.43	4.10	2.76	19.84	600
600-05DSPB	5"	8.39	5.00	2.14	1.20	.55	4.86	2.76	24.03	1022
600-06DSPB	6"	8.90	5.47	2.20	1.20	.55	6.13	2.76	31.31	1579
600-08DSPB	8"	10.24	6.89	2.39	1.77	.67	7.98	4.02	40.12	3136
600-10DSPB	10"	11.50	7.99	2.58	1.77	.87	9.87	4.02	59.08	5340
600-12DSPB	12"	13.27	9.53	3.03	1.77	.87	11.88	4.02	88.18	8250

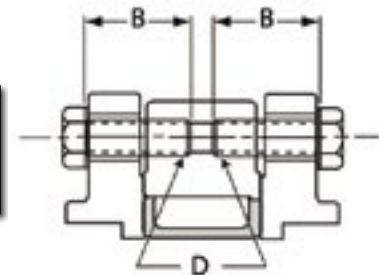
### Material Specification

No.	Part Name	Materials
1	Body	Ductile Iron
2	Seat	PTFE
3	Lower Stem	416 Stainless Steel
4	Disc	316 Stainless Steel
5	Upper Stem	416 Stainless Steel
6	Locating Pin	Cast Steel
7	Bushing	PTFE
8	O-ring	EPDM



Size	Flow in Gpm @ 1PSI P @ Various Disc Angles								
	10°	20°	30°	40°	50°	60°	70°	80°	Full 90°Open
2"	0.1	5	12	24	45	64	90	125	135
2.5"	0.2	8	20	37	65	98	144	204	220
3"	0.3	12	22	39	70	116	183	275	302
4"	0.5	17	36	78	139	230	364	546	600
5"	0.8	29	61	133	237	392	620	930	1022
6"	2	45	95	205	366	605	958	1437	1579
8"	3	89	188	408	727	1202	1903	2854	3136
10"	4	151	320	694	1237	2047	3240	4859	5340
12"	5	234	495	1072	1911	3162	5005	7505	8250

DIM	2"	2-1/2"	3"	4"	5"	6"	8"	10"	12"
B	1-1/2	1-1/2	1-1/2	1-3/4	1-3/4	2	2	2-1/4	2-1/2
D	5/8 -11UNC	5/8 -11UNC	5/8 -11UNC	5/8 -11UNC	3/4 -10UNC	3/4 -10UNC	3/4 -10UNC	7/8 -9UNC	7/8 -9UNC



Note: Information subject to change without notice.



Jomar International Ltd.  
7243 Miller Drive  
Warren, MI 48092  
Phone: 800-325-5690  
Fax: 800-628-4194  
www.jomar.com

© Copyright 2006 Printed in U.S.A.  
Lug-PTFE  
04/06