



SMALL WONDER™

Description

Body is chrome plated brass. Includes both stainless steel grid and deep cup basket. Brass tailnut is standard. Fits 2" to 2-1/2" sink openings.

Computer Part No.

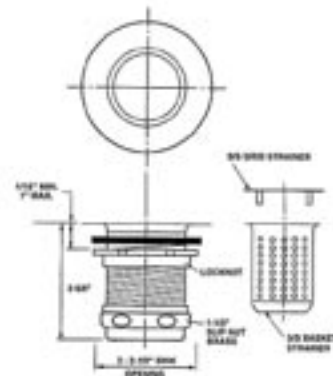
Computer Number	Model	Finish
300-101	SS308	Stainless Steel
300-103	SN311	Satin Nickel
300-019	BS315	Brushed Stainless

Warranty

The Company, for a period of one year from the date of shipment, warrants each product or system of its own manufacture to the original purchaser to be free from defects in material and workmanship under normal use, service and maintenance.



Small Wonder™



Architect/Engineer approval

Job Name _____ Date _____
 Model Specified _____ Quantity _____
 Variations Specified _____
 Customer/Wholesaler _____
 Contractor _____
 Architect _____

Note: Information subject to change without notice.



Jomar International Ltd.
 7243 Miller Drive
 Warren, MI 48092
 Phone: 800-325-5690
 Fax: 800-628-4194
 www.jomar.com