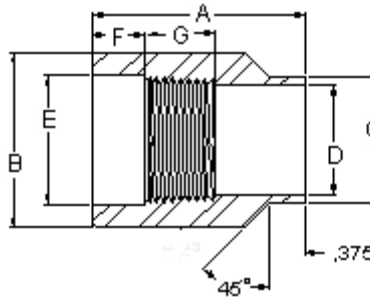


Penn Machine

Class 6000 Combination Welding Couplet



PENN CATALOG FIG NO. 60018

PIPE SIZE	1/2	3/4	1	1-1/4	1-1/2	2
Dimension A	1.688	1.875	2.188	2.375	2.500	2.875
Dimension B	1-1/2	1-3/4	2-1/4	2-1/2	3	3-5/8
Dimension C	.938	1.063	1.312	1.688	1.938	2.438
Dimension D	45/64	29/32	1-9/64	1-15/32	1-11/16	2-3/16
Dimension E	.855	1.065	1.330	1.675	1.915	2.405
Dimension F	.380	.500	.500	.500	.500	.625
Dimension G	19/32	19/32	3/4	25/32	13/16	27/32
Approx. Wt. (lbs)	.350	.444	.958	1.183	2.061	3.068

[Fitting catalog](#) | [Product catalog](#) | [Request quote/information](#) | [Home](#)

Web site created by Penn Machine. Send questions or comments to [James Friant](#).