

EconoGate® Brass Gate Valve with Compression Ends



NSF 61-8



Description

Cast brass, full flow, solid wedge disc, integral seats, non-rising stem, screwed bonnet with black malleable iron handle gate valve with compression ends. 100% tested.

Features

- Pressure rating: 200 WOG
- Non-rising stem
- Compression Ends
- Solid wedge gate

Approvals

- NSF 61-8
- 200 WOG
- Manufactured in ISO-9002 facility

Warranty

The Company, for a period of one year from the date of shipment, warrants each product or system of its own manufacture to the original purchaser to be free from defects in material and workmanship under normal use, service and maintenance.

Architect/Engineer approval

Job Name _____ Date _____
Model Specified _____ Quantity _____
Variations Specified _____
Customer/Wholesaler _____
Contractor _____
Architect _____

Note: Information subject to change without notice.

EconoGate® Brass Gate Valve with Compression Ends



Description

Cast brass, full flow, solid wedge disc, integral seats, non-rising stem, screwed bonnet with black malleable iron handle gate valve with compression ends. 100% tested.

Dimensions in Inches

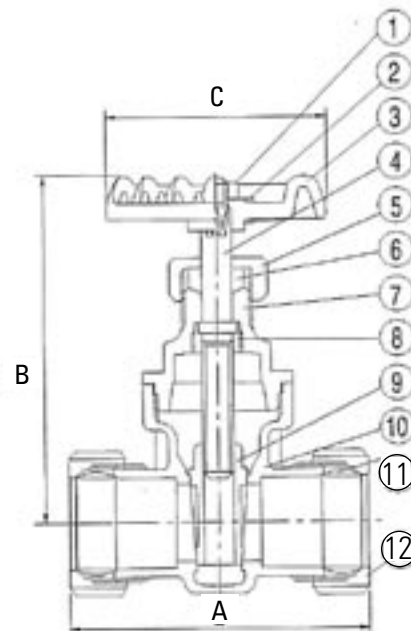
Computer Number	Valve Size	A	B	C
103-423	1/2"	2.72	2.84	2.13
103-424	3/4"	2.96	3.31	2.13
103-425	1"	3.27	3.86	2.41

Material Specification

Item	Part Name	Material
1	Handle Nut	Steel
2	Name Plate	Aluminum
3	Hand Wheel	Cast Iron
4	Stem	Brass
5	Packing Nut	Brass
6	Gland Packing	Graphite
7	Bonnet	Cast Brass
8	Lock Nut	Brass
9	Disc	Cast Brass
10	Body	Cast Brass
11	Compression Ring	Brass Tube
12	Compression Nut	Cast Brass

Pressure Rating

200 WOG



Note: Information subject to change without notice.