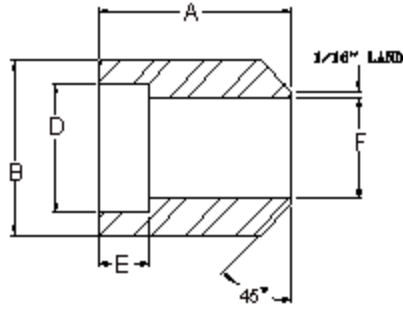


Penn Machine

Class 9000 Socket Welding Boss



PENN CATALOG F2002 FIG NO. 19022

Nominal Pipe Size	1/2	3/4	1	1-1/4	1-1/2	2
Dimension A	2	2	2	2	2	2-1/4
Dimension B	1-3/4	2-1/4	2-1/2	3	3-5/8	4-1/4
Dimension D	.859	1.071	1.335	1.682	1.922	2.410
Dimension E	1/2	9/16	5/8	11/16	3/4	7/8
Dimension F	.252	.434	.599	.896	1.100	1.503

[Fitting catalog](#) | [Product catalog](#) | [Request quote/information](#) | [Home](#)

Web site created by Penn Machine. Send questions or comments to [James Friant](#).