



Moniteur ASi Plug and Play

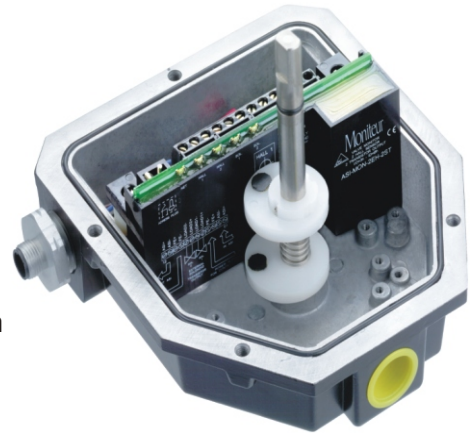
Moniteur Devices can provide total ASi plug and play valve network solutions for your plant installations. Working closely with your engineers, custom packages can be tailored to meet your specific applications. The total plug and play solution comprises of:

1. ASi Valve Position Controllers with Onboard Network Card and Solenoid Valve- The Slaves

Valve Position Controllers include the enclosure, two position sensors, the network card and the solenoid valve.

General Purpose - VPCs are fitted with micro quick-disconnect style connectors to facilitate true plug and play wiring.

Explosion-Proof - VPCs are fitted with Explosion -Proof solenoid valves and conduit adapters, plus optional quick-disconnect junction boxes to allow disconnection of one or more valve monitors from the fully functioning network without disturbance.

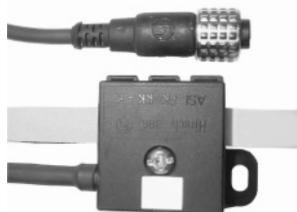


2. ASi Power Supply - The Power

ASi power supplies, available in 2.8 and 8 amp versions, power all devices in the network including position sensors, network cards, solenoid valves and the gateway or master. Optional network cards are available with relay outputs to allow ASi to control devices powered separately.

3. ASi Master or Gateway - The Controller

All of the network intelligence resides in the ASi Master or Gateway. The Master is designed to connect directly to a PC, PLC or DCS, while a Gateway operates with other protocols such as DeviceNet, Modbus or Profibus. Either way, ASi requires no special programming as an ASi network appears as a standard I/O block to the host network.

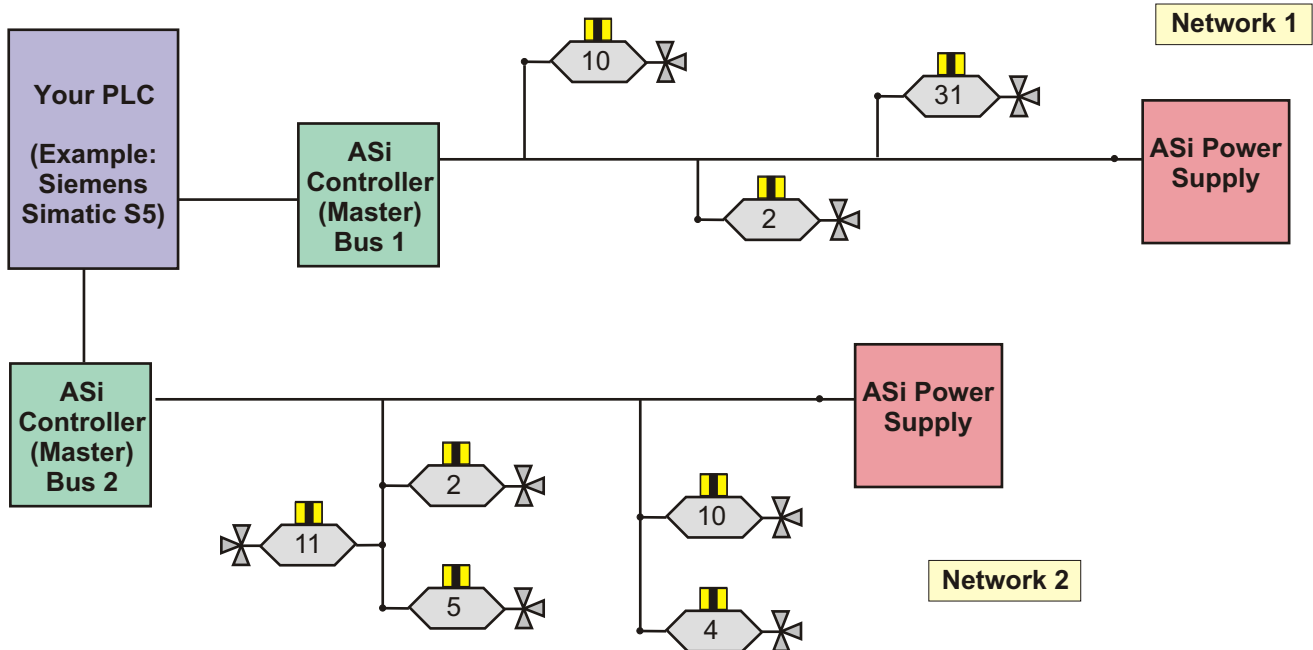


4. Plug and Play Cabling System - The Connection

A plug and play cabling system has also been developed to speed installation and troubleshooting including plug style connectors, cable assemblies and junction housings (Nema 4 / General Purpose only).

ASi Examples

Example 1 - Two ASi Networks connected to a central plant PLC. The Masters can be located as far away from the CPU as required. Only the ASi Master and Power Supply must be close to the network.



Example 2 - One ASi network interfacing with a Device Net Bus, with the DeviceNet Bus connected to the plant's central PLC. The ASi-DeviceNet Gateway makes this interface possible.

