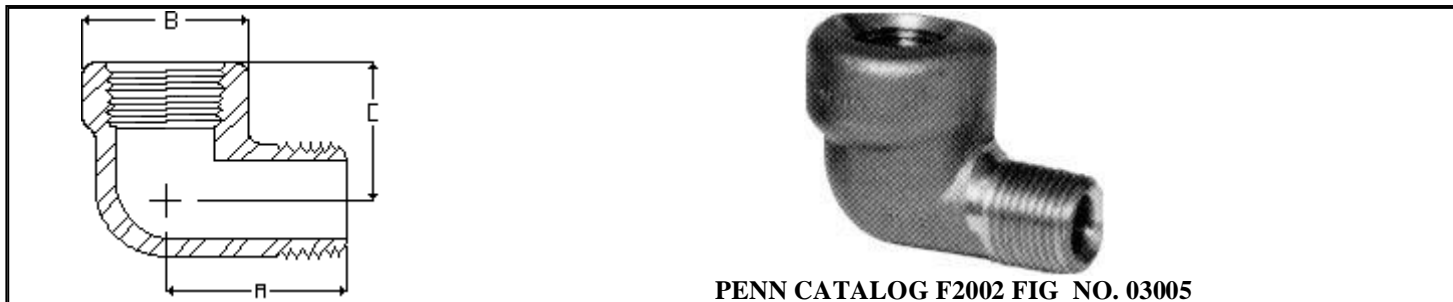


Penn Machine

Class 3000 Threaded Street Elbow

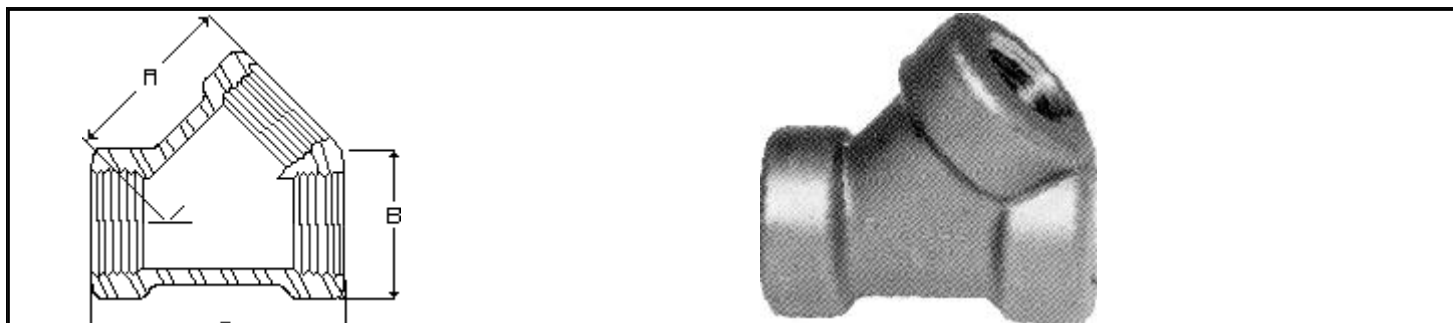


PENN CATALOG F2002 FIG NO. 03005

Nominal Pipe Size	1/8"	1/4"	3/8"	1/2"	3/4"	1"	1-1/4"	1-1/2"	2"
Dimension A	1-1/4	1-1/4	1-1/2	1-11/16	1-7/8	2-1/4	2-5/8	2-7/8	3-5/16
Dimension B	1	1	1-5/16	1-1/2	1-3/4	2	2-7/16	2-3/4	3-5/16
Dimension C	7/8	7/8	1-1/8	1-1/4	1-3/8	1-3/4	2	2-1/8	2-1/2
Approx. Wt. (lbs)	.22	.20	.45	.59	.89	1.33	2.45	3.04	4.84

Penn Machine

Class 3000 Threaded Lateral



PENN CATALOG F2002 FIG NO. 03006

[Click here for the reducing fitting correct ordering practice](#)

Nominal Pipe Size	1/8"	1/4"	3/8"	1/2"	3/4"	1"	1-1/4"	1-1/2"	2"	2-1/2"
Dimension A	1-3/4	1-3/4	1-3/4	1-3/4	2-1/8	2-1/2	2-13/16	3-3/16	4-3/8	5-5/16
Dimension B	1-1/2	1-1/2	1-1/2	1-1/2	1-3/4	2	2-7/16	2-3/4	3-5/16	4
Dimension C	2-1/2	2-1/2	2-1/2	2-1/2	3	3-1/2	4	4-1/2	6	7-1/2
Approx. Wt. (lbs)	1.27	1.27	1.12	.95	1.51	2.21	3.40	4.72	9.41	15.60

[Fitting catalog](#) | [Product catalog](#) | [Request quote/information](#) | [Home](#)

Web site created by Penn Machine. Send questions or comments to [James Friant](#).