

## Mini Ball Valves



ISO EN 9001:2000



**T-82-M**

### Description

1/4 turn, lever operated, hot forged brass ball valve. 100% full port. Blow-out proof two-piece design. Made in Italy. 100% tested.

### Features

Designed for steam, water, oil or gas in commercial and light industrial use.

- Greater flow rate
- Pressure rating: 600WOG/150 WSP
- Temperature range: -40°F to +300°F
- Blow-out-proof stem
- Prevents stem leakage
- Air tested twice in open and closed position
- Large raised wrench flats
- Rugged forged construction
- Chrome-plated brass ball
- Double Viton\* O-rings
- Various connection combinations available

### Approvals

- CSA listed Z21.15

### Variations

Screw driver slot handle

### Warranty

The Company, for a period of one year from the date of shipment, warrants each product or system of its own manufacture to the original purchaser to be free from defects in material and workmanship under normal use, service and maintenance.

#### Architect/Engineer approval

Job Name \_\_\_\_\_ Date \_\_\_\_\_  
Model Specified \_\_\_\_\_ Quantity \_\_\_\_\_  
Variations Specified \_\_\_\_\_  
Customer/Wholesaler \_\_\_\_\_  
Contractor \_\_\_\_\_  
Architect \_\_\_\_\_

Note: Information subject to change without notice.

## Mini Ball Valves



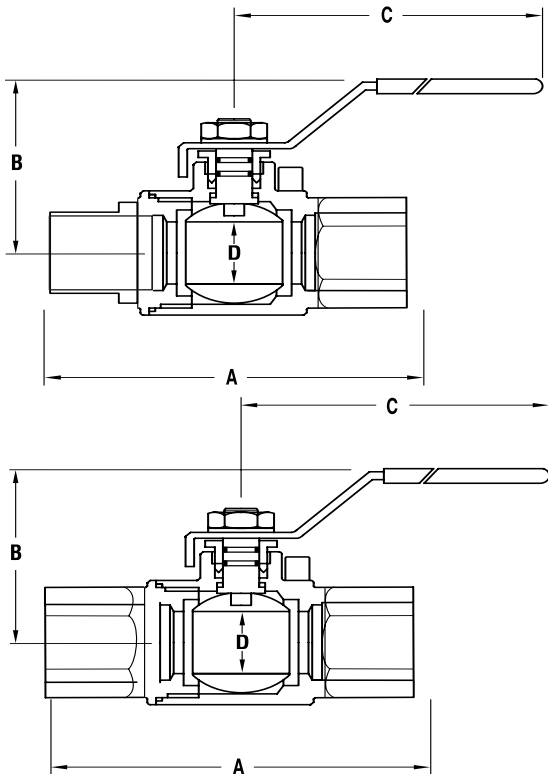
### Description

1/4 turn, lever operated, hot forged brass ball valve. 100% full port. Blow-out proof two-piece design. Made in Italy. 100% tested.

### Dimensions in Inches

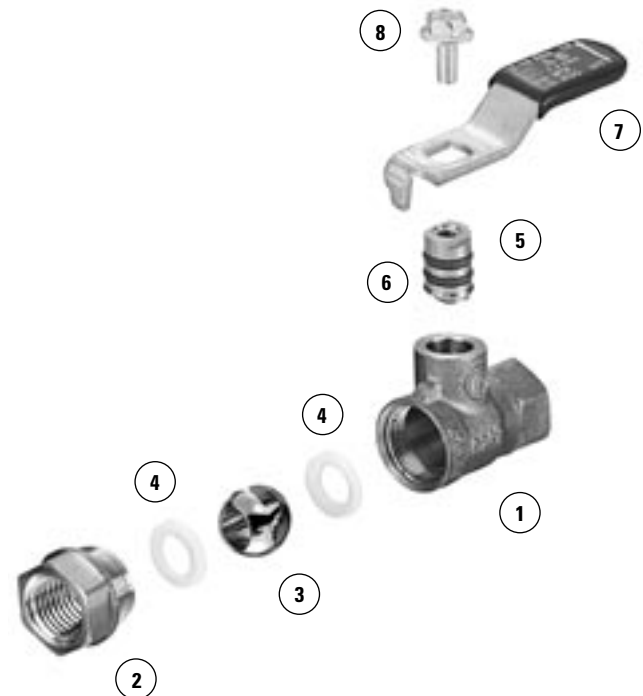
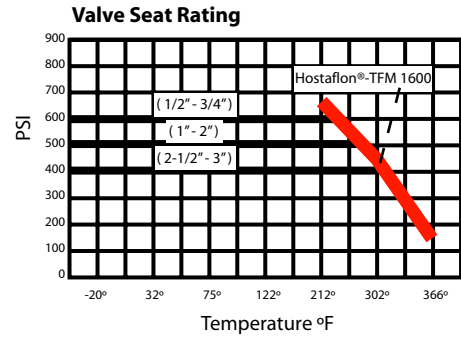
Computer No.	Valve Size	A	B	C	D
100-295	1/4" FIP x 1/4" MIP†	2.01	0.77	00	0.312
100-296	1/4" FIP x 1/8" MIP†	2.01	1.93	00	0.312
100-297	1/8" FIP x 1/8" MIP	1.92	1.14	1.69	0.312
100-298	1/4" FIP x 1/8" MIP	1.93	1.14	1.69	0.312
100-299	1/4" FIP x 1/4" MIP	2.01	1.14	1.69	0.312
100-300	1/4" FIP x 1/4" FIP	1.61	1.14	1.69	0.312

† Mini Screwdriver Slot Handle.



### Materials Specifications

No.	Part Name	Materials
1	Body	Hot Forged Brass
2	End Adapter	Hot Forged Brass
3	Ball	Chrome Plated Brass
4	Seat (2)	PTFE
5	Stem	Extruded Brass
6	O-Ring (2)	Viton®
7	Handle	Dacromet Coated Steel
8	Handle Screw	Dacromet Coated Steel



Note: Information subject to change without notice.