

Maximum Pipe Size:
4" Inside diameter
5" Outside diameter

Specification and Data Sheet

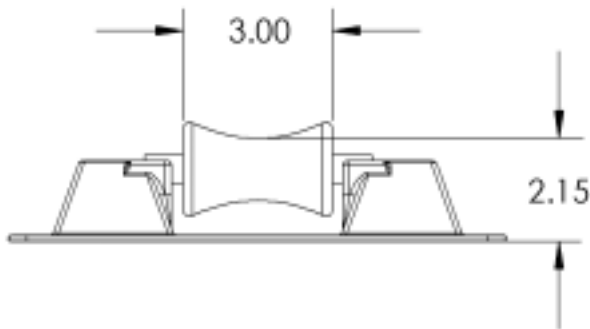
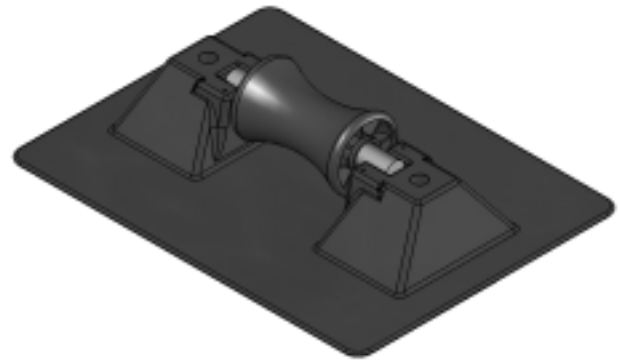
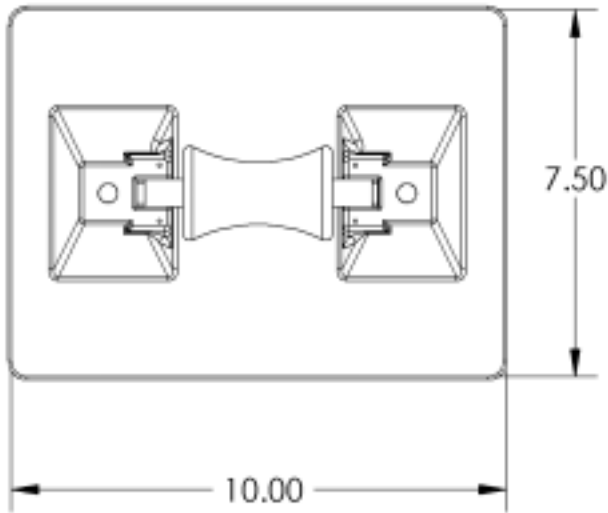
MODEL NO. 4-R, 4-RAH-7 and 4-RAH-12

1. **Product Name:** PILLOW BLOCK PIPESTAND MODELS 4-R and 4-RAH-7 and 4-RAH-12. **NOTE:** Pillowblock pipestands model numbers correspond to usual pipe names. Pipe that is called "four inch" or 4" pipe has a 4" inside diameter and a larger outside diameter. Model 4-R, 4-RAH-7 and 4-RAH-12 will hold all usual and customary 4" and smaller pipe sizes, referring to the inside diameter. The maximum outside dimension of the pipe or conduit the Model 4-R will hold is 5" diameter.
2. **Manufacturer:** MIRO INDUSTRIES, INC., 2700 South 900 West, Salt Lake City, Utah 84119

	Phone (800) 768-6978
	Fax (800) 440-7958
3. **Product Description:** A "roller-bearing" pipe support used to support roof-mounted gas pipes, electrical conduit, solar piping and other mechanical piping. Unique design absorbs thermal expansion and contraction of pipes thus preventing damage to the roof membrane. Pipes rest on a self-lubricating roller system which is made of a polycarbonate resin rod and a sturdy polycarbonate resin roller. The pipe support base and roller rod are made of polycarbonate resin, and all metal parts are made of stainless steel. Pipestand will accommodate up to 4" inside diameter pipe or up to 5" outside diameter pipes.
4. **Product Performance:** As daytime temperatures warm the roof membrane and the mechanical pipe network found on the roof, causing them to expand, the roller bearing in the pipestand rolls beneath the pipe it supports. This reduces or eliminates the friction that would otherwise occur between the pipe and the roof membrane. When the roofing membrane and pipe network cools, the process is reversed, and the pipes roll back on the roller bearing as they contract. With a difference of 20 degrees F. between nighttime and daytime temperatures, 100 ft. of 1" steel pipe may move as much as .25 inches per day. The "U" shaped roller serves to keep the pipestand roller system directly beneath the pipe without binding and allows for some lateral expansion of the piping system. The base is gently rounded to prevent gouging the roof membrane.
5. **Compatibility:** Pillow Block Pipestands are recommended for use on and are compatible with all current types of decking and with all commonly used built-up and single-ply roofing membranes where roof-mounted pipes occur.
6. **Load Weight:** Maximum load weight may not exceed 125 lbs. per pipestand.
7. **Composition and Materials:** The pipestand consists of two major components: (1) A one-piece polycarbonate roof deck base, pipe support, and adjustable roller housing, (2) A roller and rod made of polycarbonate resin rod which rests in a fixed saddle on the 4-R or an adjustable height roller housing on the 4-RAH-7 or 4-RAH-12. Carbon black is added to the polycarbonate for UV resistance and protection.
8. **Size:** Pillow Block Pipestand Models 4-R and 4-RAH-7 are made with a deck base that is 7.50" by 10.00". The 4-RAH-12 has a deck base of 9" by 15.25" and has a maximum cradle width of 5".

4-R has a maximum pipe clearance of 2.15".
4-RAH-7 can adjust in height from a low of 3.5" to a high of 7.5" from bottom of pipe support.
4-RAH-12 can adjust in height from a low of 5.5" to a high of 12.0" from bottom of pipe support.
9. **Installation:** (1) Center the pipestand beneath the pipe so that the cradle allows the pipe to be squarely over and through the roller of the pipestand. (2) Adjust the pipestand to the desired height and even load with other pipestands. Make certain the strut or roller is level. (3) Set the pipe in the pipestand without dropping or causing undue impact. If desired, an additional sheet of roofing material, a MIRO Support Pad, or a MIRO Deck Plate can be installed beneath the pipestand. For built-up roofs, all loose aggregate from an area 15" square should be removed from the area directly beneath the pipestand and then follow the installation directions set forth above. Care should be taken to install each pipestand so it supports a proportional and equal amount of weight at each pipestand.

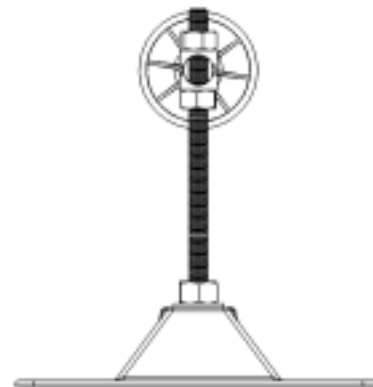
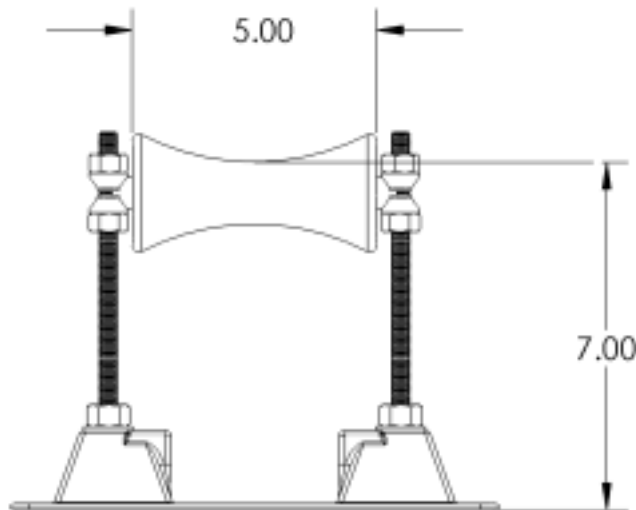
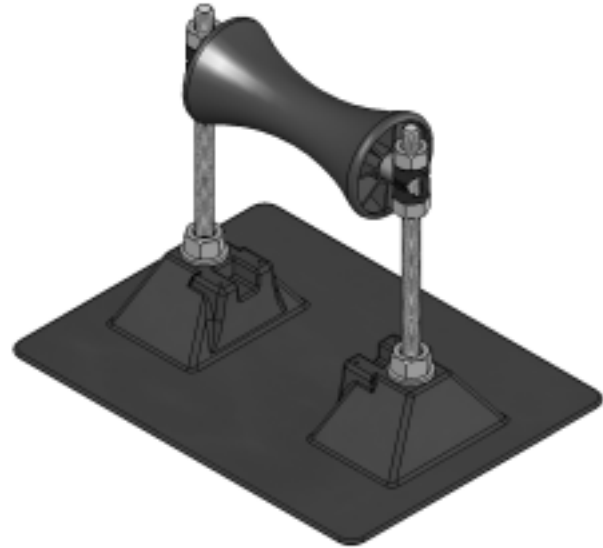
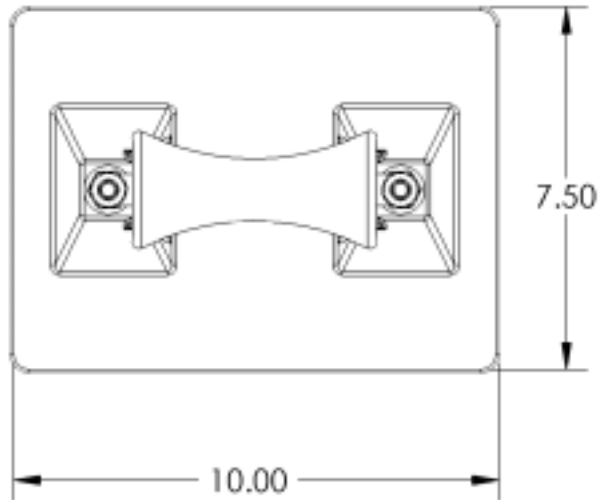
 OPTIONAL METHOD OF INSTALLATION (Not recommended): Where code requires or as desired, the pipestands may be attached to the roof by appropriate and compatible rooftop fasteners through holes then drilled in the bottom of the pipestand pitchpan at the time of installation.
10. **Spacing:** Manufacturer's recommended spacing is not to exceed 10 foot centers depending upon the load. Do not exceed 125 lbs. load weight and make certain each pipestand is adjusted in height to even load.
11. **Availability:** Pillow Block Pipestands are marketed throughout the United States through representatives and distributors.
12. **Maintenance:** Normally maintenance is not required. Semi-annual inspection is required to check pipestand position and set pipe alignment, weight distribution and improper installation which may cause pipestand damage or failure.
13. **Technical Services:** Please call MIRO INDUSTRIES, INC.: (800) 768-6978.
www.miroind.com for technical information and for graphic and for CAD drawing downloads.



This document, attachments, and all of the information therein are the property of MIRO Industries, Inc. The information contained is loaned, subject to return upon demand, and is not to be used directly or indirectly in any way detrimental to our interest. Further, the information contained therein shall not be used, in whole or in part, except when allowed by written authorization from MIRO Industries, Inc.

Copyright MIRO Industries, Inc. 2003.

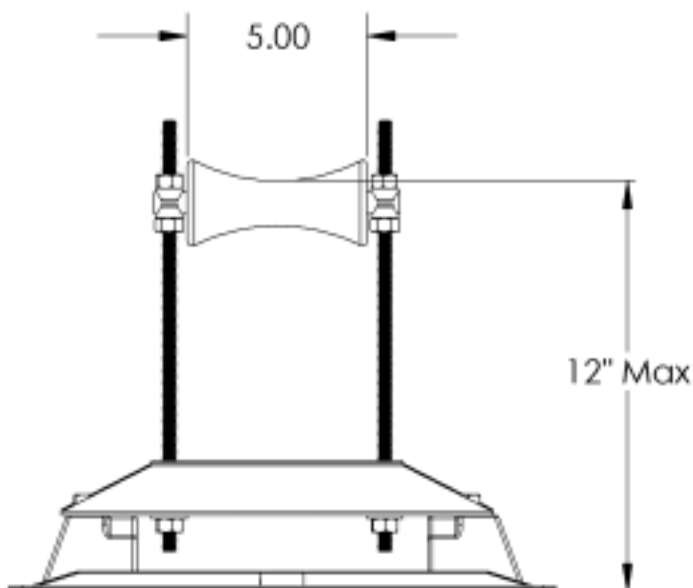
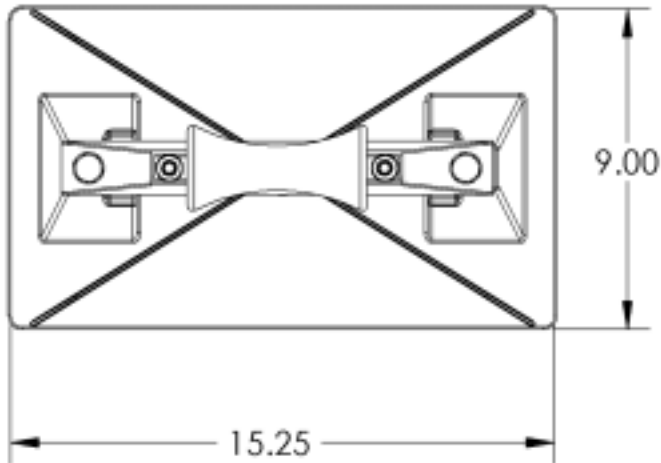
4-R Pipe Support



This document, attachments, and all of the information therein are the property of MIRO Industries, Inc. The information contained is loaned, subject to return upon demand, and is not to be used directly or indirectly in any way detrimental to our interest. Further, the information contained therein shall not be used, in whole or in part, except when allowed by written authorization from MIRO Industries, Inc.

Copyright MIRO Industries, Inc. 2003.

4-RAH-7



This document, attachments, and all of the information therein are the property of MIRO Industries, Inc. The information contained is loaned, subject to return upon demand, and is not to be used directly or indirectly in any way detrimental to our interest. Further, the information contained therein shall not be used, in whole or in part, except when allowed by written authorization from MIRO Industries, Inc.

Copyright MIRO Industries, Inc. 2003.

4-RAH-12