

<b>Maximum Pipe Size:</b>	
6"	Inside diameter
8-1/2"	Outside diameter

## Specification and Data Sheet

# MODEL NO. 6-RAH-RS (SS or HDG)

1. **Product Name:** MODEL NO. 6-RAH Restraint Support corresponds to the largest pipe this support will hold. Pipe that is called 6" has an inside diameter of 6" and an outside diameter of 8.5".
2. **Manufacturer:** MIRO INDUSTRIES, INC., 2700 South 900 West, Salt Lake City, Utah 84119 Phone (800) 768-6978  
Fax (800) 440-7958
3. **Product Performance:** Products were designed to restrain piping where codes require. This system is designed for pipe carrying water, steam, or gas.
4. **Product Description:** Support frame is designed for a maximum of 6" diameter schedule 40 (std. weight) carbon steel pipes with MIRO Industries supports (sleepers) as a maximum of 10'-0" o/c and restraint frames at a maximum of 40'-0" o/c.
5. **Compatibility:** MIRO Supports are recommended and are compatible for use with all current types of decking and with all commonly used buildup and single-ply roofing membranes where roof-mounted pipes occur.
6. **Load Weight:** Weight load should be evenly distributed, on both restraint support and non-penetrating supports.
7. **Composition and Materials:** Each support consists of three components: A steel frame which includes a plate for the rooftop and bracket for under the roofing substructure, typical pipe clamps, and two sided Ashland butyl tape.
8. **Size:** 6-RAH-RS is suited to carry all 6" piping and smaller. The deck base size is 12" by 16" and has a maximum cradle width of 8.5". The 6-RAH-RS can adjust in height from a low of 2" to a high of 7" from bottom of pipe support. For units requiring a 12" in height, please contact MIRO Industries.
9. **Installation:** To install the support frame: (1) Align the support over structural steel or (attachment locations should be approved by engineer). Use bolts to fasten frame to structural steel. (2) Fasten typical pipe clamps to pipe (fasten to pipe per manufacturer recommendations). (3) Place Ashland butyl tape down on rooftop material and adhere to base.

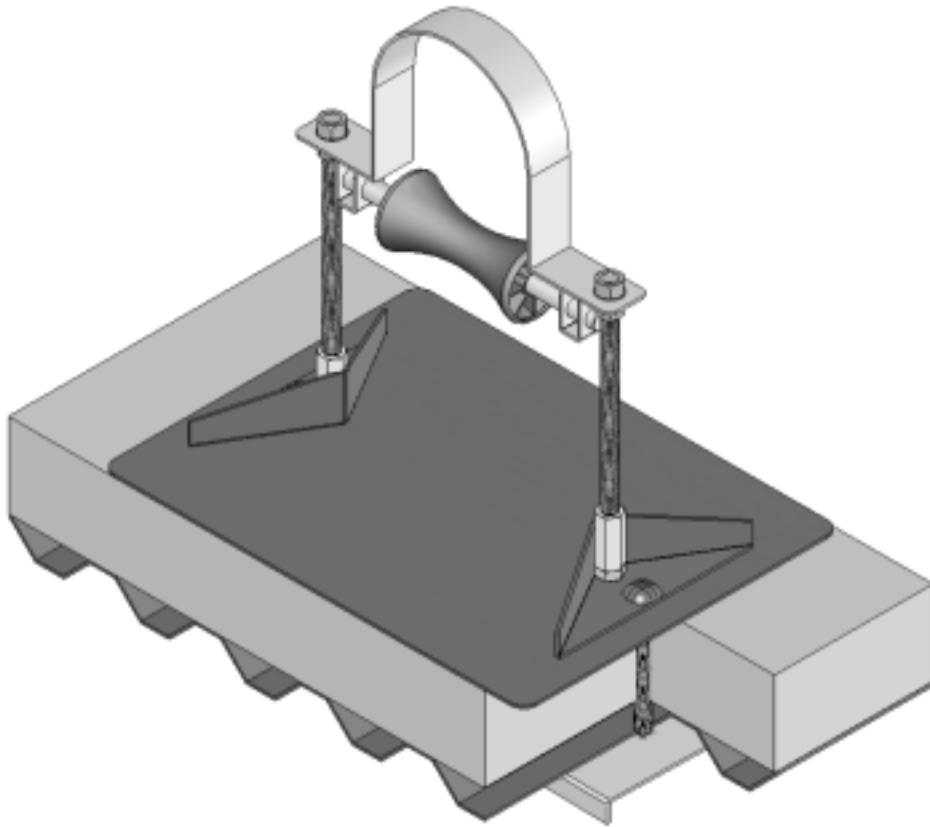
Miro will not be responsible for installation or workmanship or roof penetrations.

10. **Spacing:**
  - A. It is recommended that a structural analysis of the restraint support(s) based upon proposed project layouts be performed to accurately determine the code level site-specific frame reactions. This will generally significantly reduce the magnitude of frame loads to the supporting structure, and minimize the need for reinforcement or additional framing.
  - B. Maximum restraint support spacing indicated are based upon support capacity, and not upon the supported component capacity. Support spacing must be determined by the specifier to meet the requirements of the supported component code standard maximum longitudinal and lateral supports spacings.
  - C. The capacity of the supporting structure and method of restraint support attachment (i.e.: bolting) must be verified by the structural engineer of record. Additional structural framing and/or local reinforcement may be required in order to support the restraint frame base reactions.
11. **Availability:** MIRO rooftop support products are marketed throughout the United States through representatives and distributors. Warranty available from MIRO after installation inspection on each roof.
12. **Limited Warranty:** All products sold are subject to the following warranty. MIRO warrants for a period of one year from date of delivery the product is free from defects in materials and workmanship. MIRO makes no other express representation or warranty of any kind, express or implied, in fact or in law, including without limitation, the warranty of merchantability or the warranty of fitness for a particular purpose, other than the limited warranty set forth above. Every claim under this warranty shall be deemed waived unless made in writing and received by MIRO within thirty (30) days of the date the defect to which each claim relates is discovered or should have been discovered.

**LIMITATIONS OF LIABILITY:** It is expressly understood and agreed that the limit of MIRO® liability shall be resupply of a like quantity of nondefective product and that MIRO shall have no such liability except where the damage or claim results solely from breach of MIRO® warranty. MIRO shall not be liable for any incidental, consequential, or other damages, for any alleged negligence, breach of warranty, strict liability, or any other theory, other than the limited liability set forth above.

MIRO's warranties will not apply if a pipe, conduit, or other object, in order to rest upon the pipestand, is forced down into the cradle of the pipestand. Likewise, MIRO® warranties will not apply if the supported structure is not the type of device or object for which MIRO® pipestands are designed, intended or constructed to support.

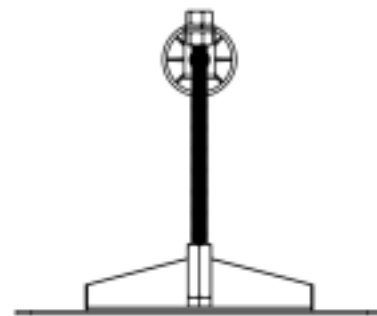
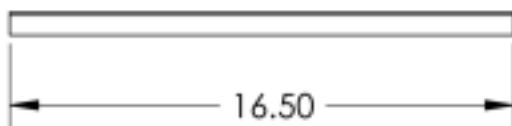
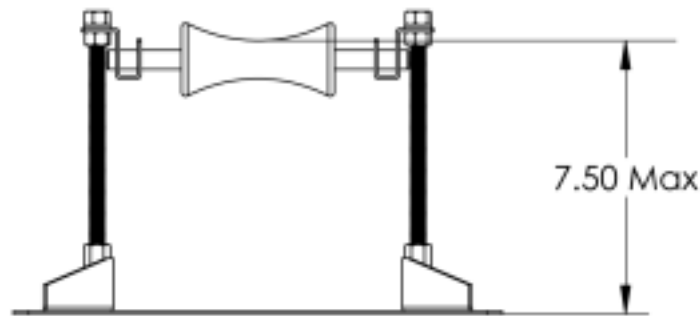
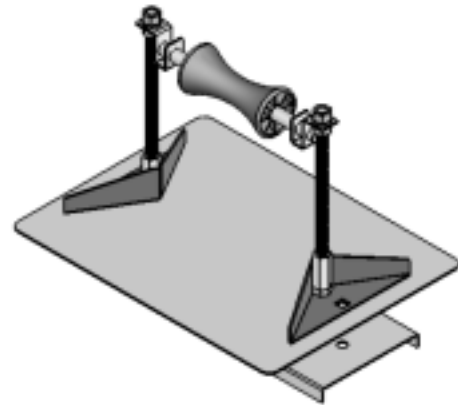
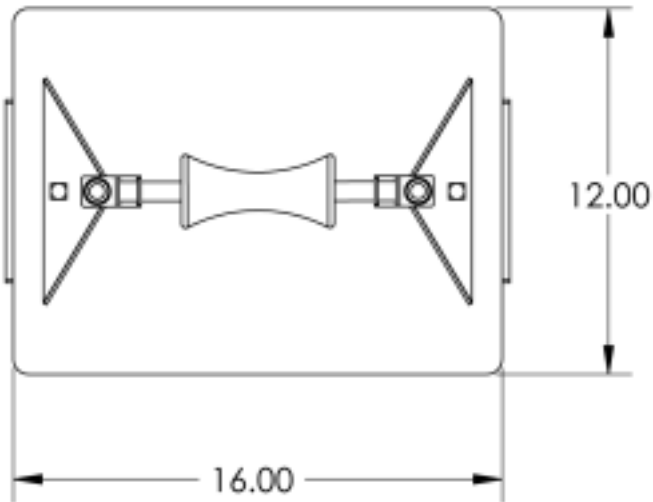
13. **Maintenance:** Normally maintenance is not required. Semi-annual inspection is required to check pipestand position and set pipe alignment, weight distribution, and improper installation which may cause pipestand damage or failure.
14. **Technical Services:** Please call MIRO INDUSTRIES, INC.: (800) 768-6978.  
[www.miroind.com](http://www.miroind.com) for technical information and for graphic and for Cad drawing downloads.



This document, attachments, and all of the information therein are the property of MIRO Industries, Inc. The information contained is loaned, subject to return upon demand, and is not to be used directly or indirectly in any way detrimental to our interest. Further, the information contained therein shall not be used, in whole or in part, except when allowed by written authorization from MIRO Industries, Inc.

Copyright MIRO Industries, Inc. 2003.

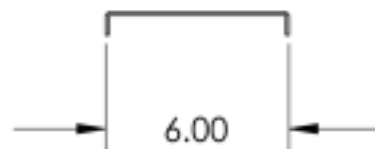
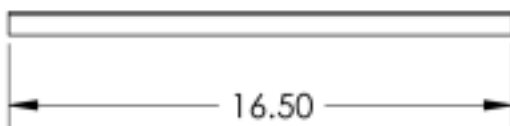
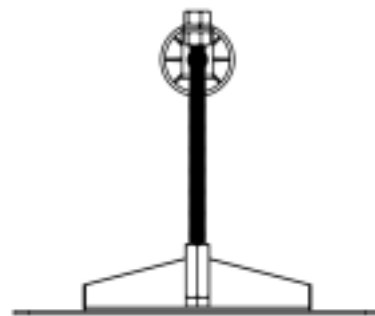
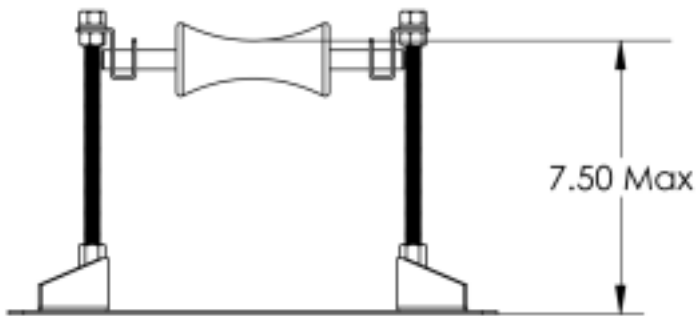
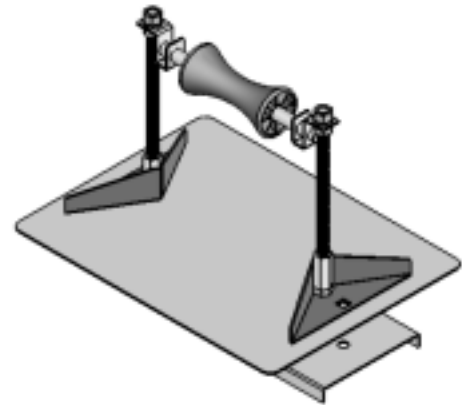
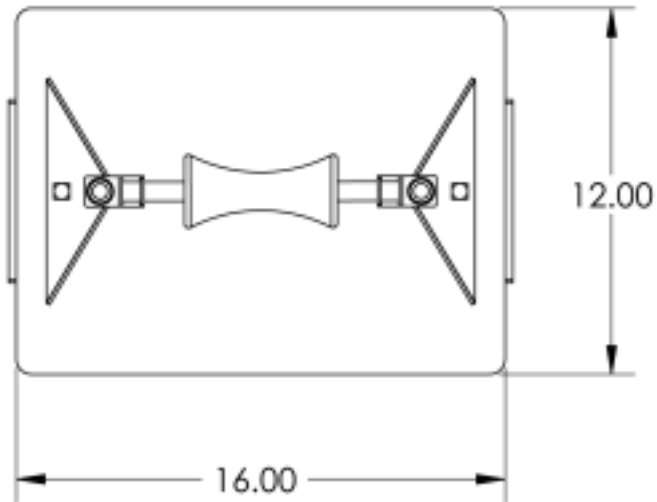
**6-RAH-RS**



This document, attachments, and all of the information therein are the property of MIRO Industries, Inc. The information contained is loaned, subject to return upon demand, and is not to be used directly or indirectly in any way detrimental to our interest. Further, the information contained therein shall not be used, in whole or in part, except when allowed by written authorization from MIRO Industries, Inc.

Copyright MIRO Industries, Inc. 2003.

**6-RAH-RS SS**



This document, attachments, and all of the information therein are the property of MIRO Industries, Inc. The information contained is loaned, subject to return upon demand, and is not to be used directly or indirectly in any way detrimental to our interest. Further, the information contained therein shall not be used, in whole or in part, except when allowed by written authorization from MIRO Industries, Inc.

Copyright MIRO Industries, Inc. 2003.

**6-RAH-RS HDG**