



## Press X Press Full Port Ball Valve



NSF 61-8



**JP-100PxP**

### Description

1/4 turn, lever operated, corrosion resistant (CR) forged brass ball valve. 100% full port. Blow-out proof two-piece design. Made in Italy. 100% tested in U.S.A.

### Features

- Press fit ends for fast, reliable installation
- Pressure rating: 250 WOG
- Temperature rating: max. 250° F
- CuZn36Pb2As Dezincification-resistant Brass (CR)
- Drilled ball to prevent bursting and proliferation of bacteria
- Triple sealing stem with Viton® O-rings and Teflon® seal
- EDPM O-rings

### Approvals

- NSF 61-8 certified

### Warranty

The Company, for a period of one year from the date of shipment, warrants each product or system of its own manufacture to the original purchaser to be free from defects in material and workmanship under normal use, service and maintenance.

#### Architect/Engineer approval

Job Name \_\_\_\_\_ Date \_\_\_\_\_  
Model Specified \_\_\_\_\_ Quantity \_\_\_\_\_  
Variations Specified \_\_\_\_\_  
Customer/Wholesaler \_\_\_\_\_  
Contractor \_\_\_\_\_  
Architect \_\_\_\_\_

Note: Information subject to change without notice.



Jomar International Ltd.  
7243 Miller Drive  
Warren, MI 48092  
Phone: 800-325-5690  
Fax: 800-628-4194  
www.jomar.com

## Press X Press Full Port Ball Valve



### Description

1/4 turn, lever operated, corrosion resistant (CR) forged brass ball valve. 100% full port. Blow-out proof two-piece design. Made in Italy. 100% tested in U.S.A.

### Dimensions in Inches

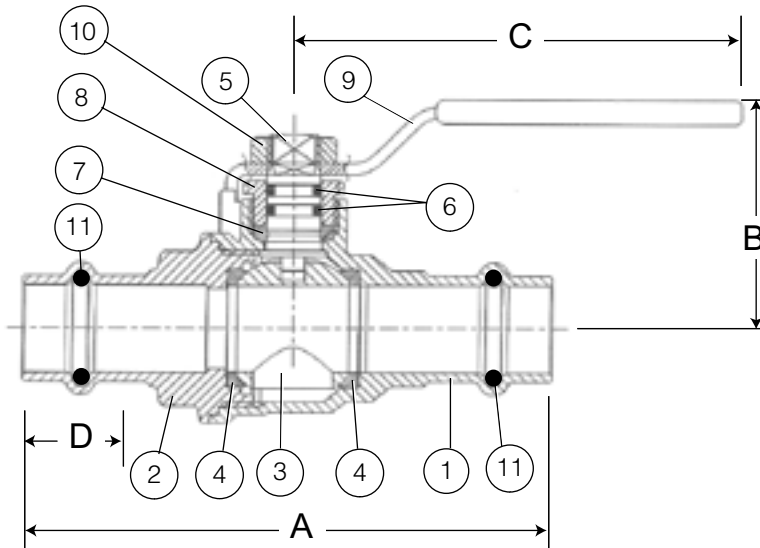
Computer No.	Valve Size	A	B	C	D
100-203	1/2"	3.54	1.53	2.95	1.24
100-204	3/4"	3.84	1.92	3.74	1.28
100-205	1"	4.31	2.40	4.72	1.38
100-206	1-1/4"	4.80	2.59	4.72	1.30
100-207	1-1/2"	5.61	3.22	5.90	1.50
100-208	2"	7.16	3.50	5.90	2.01

### Material Specification

No.	Part Name	Materials
1	Body	Corrosion Resistant Forged Brass
2	End Piece	Corrosion Resistant Forged Brass
3	Special "T" Ball	Diamond Polished TEA Coated Brass
4	Seat (2)	Hostaflon®-TFM 1600
5	Stem	Corrosion Resistant Forged Brass
6	Stem O-ring (2)	Viton®
7	Stem Packing	Hostaflon®-TFM 1600
8	Packing Nut	Corrosion Resistant Forged Brass
9	Lever Handle	Dacromet Coated Steel
10	Handle	Dacromet Coated Steel
11	O-ring (2)	EPDM

### Pressure Rating

250 WOG



Note: Information subject to change without notice.