

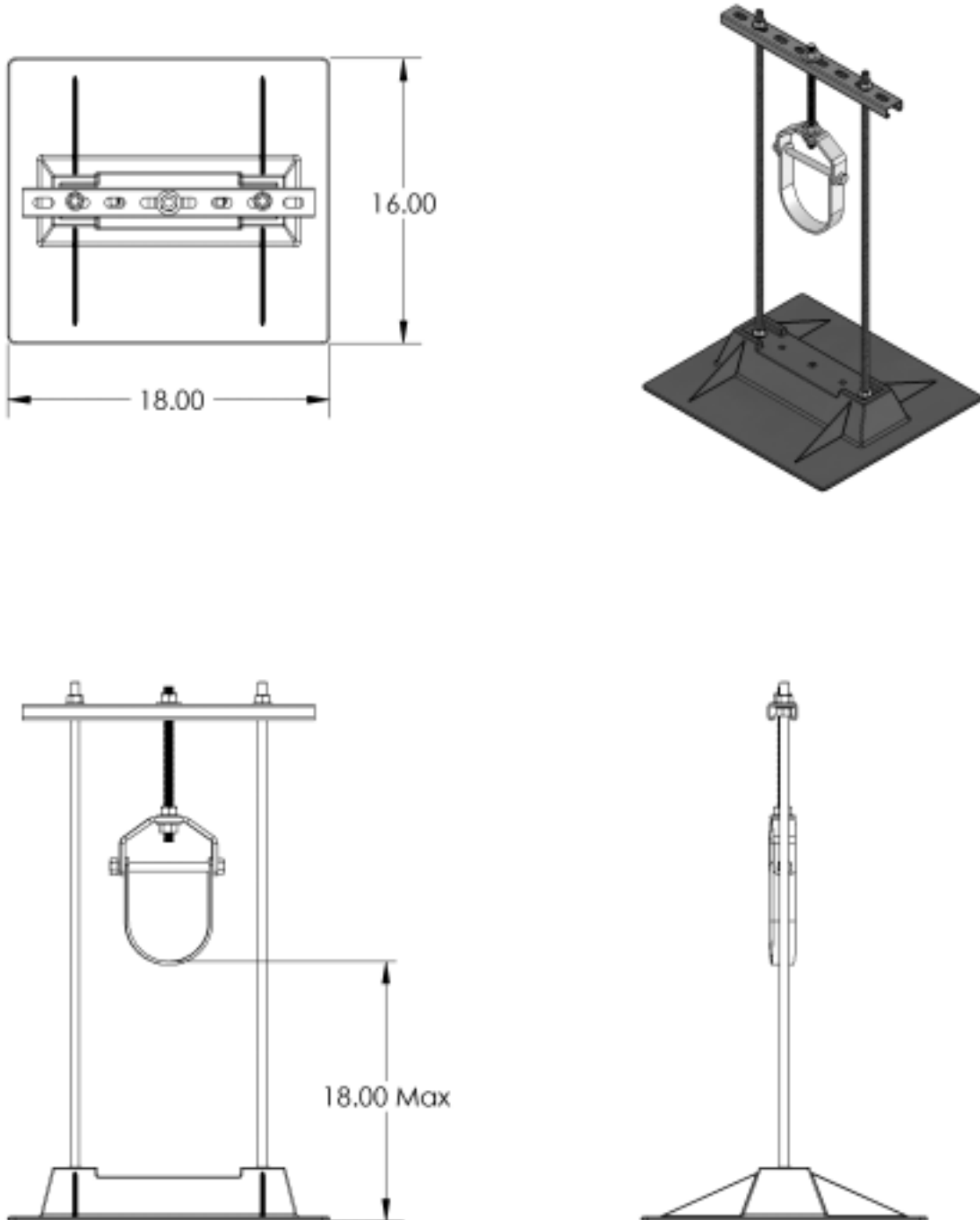
Maximum Pipe Size:	
5"	Inside diameter
6"	Outside diameter

Specification and Data Sheet

MODEL NO. 5-SB-H

1. **Product Name:** PILLOW BLOCK PIPESTAND MODEL NO. 5-SB-H **NOTE:** Pillowblock pipestands are given model numbers which correspond to usual or nominal pipe names. Pipe that is called "five-inch" or 5" pipe has a 5" inside diameter and a larger outside diameter. Model 5-SB-H will hold up to all usual and customary 5" and smaller pipe sizes, referring to the inside diameter. The maximum outside dimension of the pipe or conduit the model 5-SB-H will hold is 6" diameter.
2. **Design Emphasis:** The 5-SB-H hand related hangers have been designed specifically for 1" to 5" gas piping, conduit and water piping of the same size. The versatility of the design for this product enables it to expand to hold any number of pipe running along the roof for maximum efficiency and cost savings to customers, contractors, and owners. Thus, this pipehanger product can be used to hold one pipe across and at varying heights above the roof. See below.
3. **Manufacturer:** MIRO INDUSTRIES, INC., 2700 South 900 West, Salt Lake City, Utah 84119 Phone (800) 768-6978
Fax (800) 440-7958
4. **Product Description:** A "roller-bearing", "clevis hanger", or "band hanger" pipe support hanger, used to support roof mounted gas pipes, HVAC piping, electrical conduit, solar piping and other mechanical piping. Unique design absorbs thermal expansion and contraction of pipes thus preventing damage to the roof membrane. Pipes rest on a polycarbonate, or steel roller, clevis hanger or band hanger. The pipe support base and all metal parts are made of stainless steel or hot-dip galvanized steel. Pipestand will accommodate up to a 5" inside diameter pipe or up to 6" outside diameter pipes.
5. **Product Performance:** The roller or clevis hanger system serves to keep the pipestand hanger system directly over and beneath the pipe without binding and allows for some lateral expansion of the piping system. The base is gently rounded to prevent gouging the roof membrane.
6. **Compatibility:** Pillow Block Pipestands are recommended for use on and compatible with all current types of decking and with all commonly used built-up and single-ply roofing membranes where roof-mounted pipes occur. With heavier loads it is prudent to use a MIRO support pad or traffic pad to further protect the roof membrane.
7. **Load Weight:** Maximum load weight not to exceed 170 lbs. per hot-dip galvanized pipestand and 250 lbs. per polycarbonate pipestand.
8. **Composition and Materials:** The pipestand consists of four major components: (1) Either one roof deck base made of 16-gauge metal or a polycarbonate base which sets upon the roof membrane; (2) All-thread vertical supports of 1/2" diameter which rest upon and are connected to the one base; (3) A top strut supported by the all-thread which is 1 5/8 inches square or 1 5/8 inches by 13/16 inches; and (4) A hanger system consisting of a steel clevis or band hanger or roller system suspended from the all-thread and strut assembly.
9. **Size:** The Pillow Block Pipe Stand Model 5-SB-H is made as follows: The deck base is 12" by 16" (HDG) or 16" by 18" (P), has a cradle width which allows up to 10 3/4" between the all-thread assembly, and can adjust in height to support pipe from a low of 5 inches to a high of 18 inches from bottom of pipe support.
10. **Adjustable Height:** The model 5-SB-H and its related configurations allow adjustable height as desired or required by the code or roof system. Each model can be configured to allow plus or minus height above the roof up to 18". Purchasers should specify desired heights upon ordering the pillowblock hangers.
11. **Installation:** (1) Center the pipestand beneath the pipe so that the cradle allows the pipe to be squarely over and through the roller or clevis hanger of the pipestand. (2) Adjust the pipestand to the desired height and to even load with other pipestands. Make certain the horizontal support strut is level. (3) Set the pipe in the clevis hanger without dropping or causing undue impact. If desired, an additional sheet of roofing material, a MIRO Deck Plate or MIRO Support Pad can be installed beneath the pipestand. For built up roofs, all loose aggregate from an area 2" larger in width and length than the base should be removed from the area directly beneath the pipestand and then follow the installation directions set forth above. Care should be taken to install each pipestand so it supports a proportional and equal amount of weight at each pipestand.

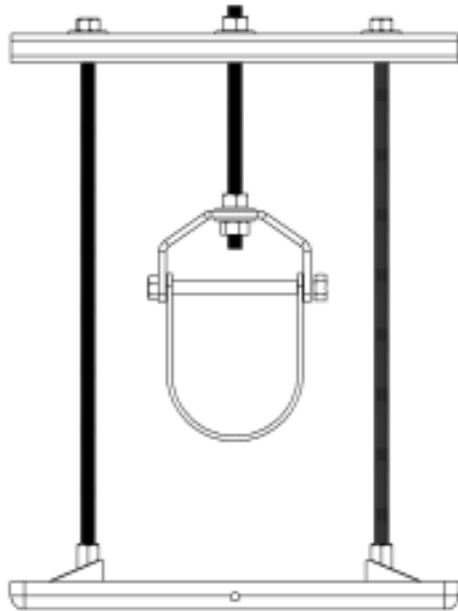
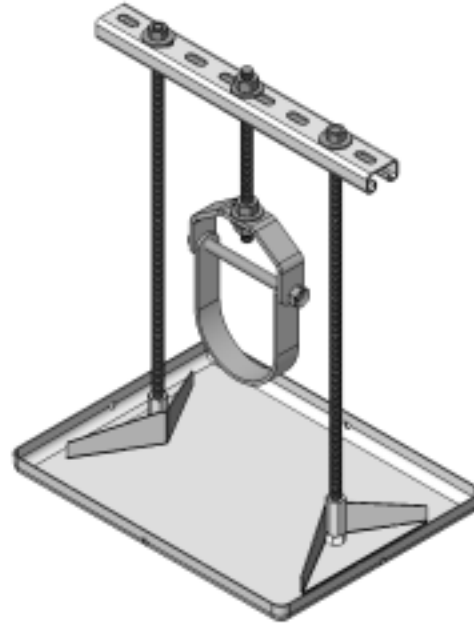
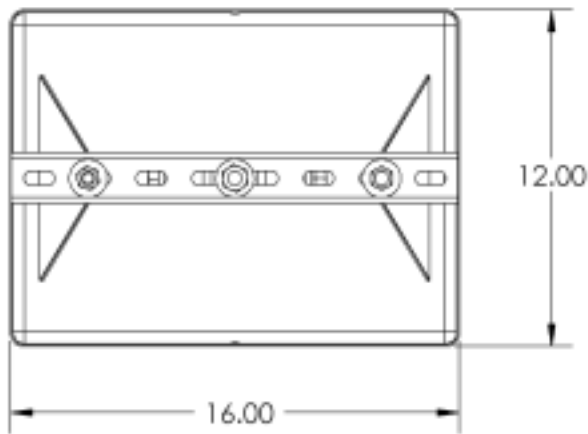
OPTIONAL METHOD OF INSTALLATION (Not Recommended): Where code requires or as desired, the pipestands may be attached to the roof structure by appropriate and compatible rooftop fasteners through holes then drilled in the bases.
12. **Spacing:** Manufacturer's recommended spacing is not to exceed 10 foot centers depending upon the load. Do not exceed 170 lbs. load weight and make certain each pipestand is adjusted in height to even load at all pipestands.
13. **Availability:** Pillow Block Pipestands are marketed throughout the United States through representatives and distributors.
14. **Maintenance:** Normally maintenance is not required. Semi-annual inspection is required to check pipestand position and set pipe alignment, weight distribution and improper installation which may cause pipestand damage or failure.
15. **Technical Services:** Please call MIRO INDUSTRIES, INC.: (800) 768-6978.
www.miroind.com for technical information and for graphic and CAD drawing downloads.



5-SB-H P

This document, attachments, and all of the information therein are the property of MIRO Industries, Inc. The information contained is loaned, subject to return upon demand, and is not to be used directly or indirectly in any way detrimental to our interest. Further, the information contained therein shall not be used, in whole or in part, except when allowed by written authorization from MIRO Industries, Inc.

Copyright MIRO Industries, Inc. 2003.



This document, attachments, and all of the information therein are the property of MIRO Industries, Inc. The information contained is loaned, subject to return upon demand, and is not to be used directly or indirectly in any way detrimental to our interest. Further, the information contained therein shall not be used, in whole or in part, except when allowed by written authorization from MIRO Industries, Inc.

Copyright MIRO Industries, Inc. 2003.

5-SB-H HDG