



## Blue Cap II® Gas Ball Valves System-3®



ISO EN 9001:2000



T-203

### Description

1/4-turn, hot forged brass, 2-piece design, standard port, appliance type gas ball valves with side tap/drain. Made in Italy. 100% tested.

### Features

- NPT thread side tap/drain
- Eliminates need for test tee and labor to install
- Ideal for use outside in extremely cold climates
- Tamper-proof screw reduces unauthorized use
- Double Viton® O-rings prevent stem leakage
- Removable plug enables drainable ball valve for any fluid system
- Temperature range: -40°F to +300°F
- Pressure rating: 600 WOG / 150 WSP
- NPT connection

### Approvals

- CSA Certified ANSI Z21.15 .5 PSIG
- CSA Certified AGA 3-88 House Piping Systems (5 PSIG) (sizes: 1/4" - 1/2" For sizes above 1/2" use Model T-100NE)
- UL Listed YQNZ, YRPV, YSDT and MHKZ
- Threads conform to ANSI B1.20.1

### Lockable Handle Operation

The butterfly handle is reversible in the closed position by removing the allen wrench screw and reversing the handle 180° into the slot, which locks the handle in the close position.

### Warranty

The Company, for a period of one year from the date of shipment, warrants each product or system of its own manufacture to the original purchaser to be free from defects in material and workmanship under normal use, service and maintenance.

#### Architect/Engineer approval

Job Name \_\_\_\_\_ Date \_\_\_\_\_  
 Model Specified \_\_\_\_\_ Quantity \_\_\_\_\_  
 Variations Specified \_\_\_\_\_  
 Customer/Wholesaler \_\_\_\_\_  
 Contractor \_\_\_\_\_  
 Architect \_\_\_\_\_

Note: Information subject to change without notice.



Jomar International Ltd.  
 7243 Miller Drive  
 Warren, MI 48092  
 Phone: 800-325-5690  
 Fax: 800-628-4194  
 www.jomar.com

## Blue Cap II® Gas Ball Valves System-3®



### Description

1/4-turn, hot forged brass, 2-piece design, standard port, appliance type gas ball valves with side tap/drain. Made in Italy. 100% tested.

### Dimensions in Inches

Computer No.	Valve Size	A	B	C	E	BTU Capacity†
102-301	1/4" ††	2.325	1.615	0.473	2.285	390,000†
102-302	3/8" ††	2.325	1.615	0.473	2.285	390,000†
102-303	1/2" ††	2.325	1.615	0.473	2.285	390,000†
102-304	3/4"	2.522	1.714	0.591	2.285	720,000†
102-305	1"	3.267	1.871	0.787	2.285	1,200,000

† These capacities are based on gas having a heating value of 1,000 BTU per cubic foot and a specific gravity of 0.64 at a pressure drop of 1.0 in W.C.

†† CSA Listed: 0.5; 2 lb, 5 lb, system meets CSA requirements for manually operated gas valves for use in House Piping System 3-88.

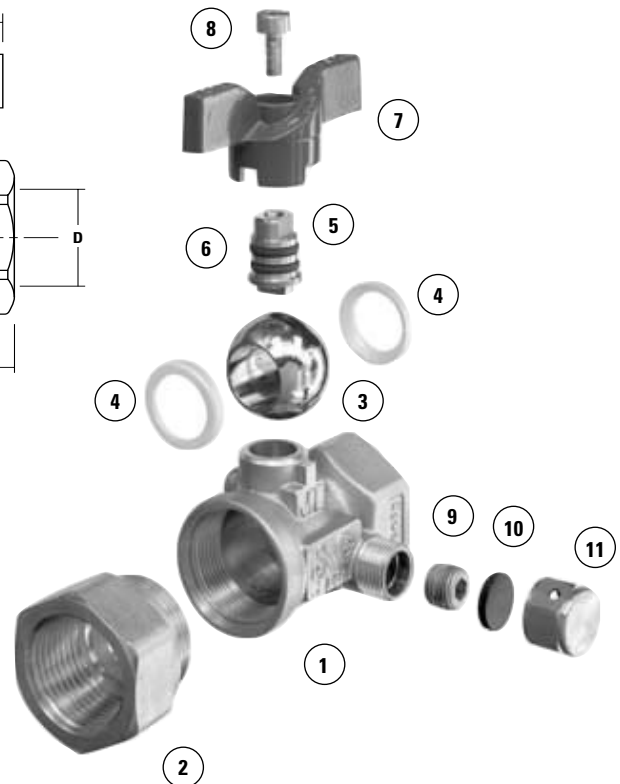
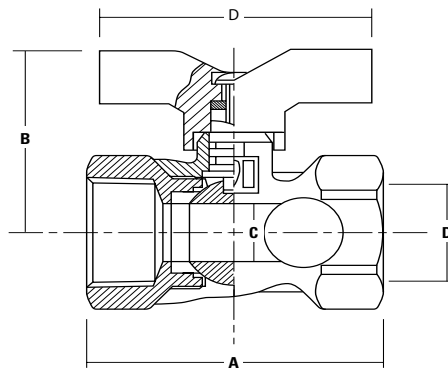
### Material Specifications

No.	Part Name	Materials
1	Body	Forged Brass
2	End Adapter	Forged Brass
3	Ball	Chrome Plated Brass
4	Seat (2)	PTFE
5	Stem	Brass
6	O-ring (2)	Viton®
7	Handle	Aluminum
8	Screw	Coated Steel
9	Plug	Brass
10	Washer	BUNA-N
11	Cap	Brass

### Pressure Rating

LP Gas	WOG	WSP
600 PSI	600 PSI	150

### VALVE SEAT RATING



Note: Information subject to change without notice.



Jomar International Ltd.  
7243 Miller Drive  
Warren, MI 48092  
Phone: 800-325-5690  
Fax: 800-628-4194  
www.jomar.com