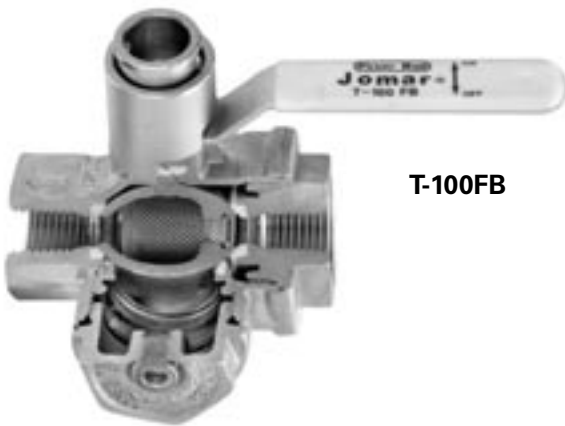


# T-100FB



## Filter Ball® with "Lift-N-Lock" Locking Device

ISO EN 9001:2000



T-100FB

### Description

FilterBall® - 1/4 turn, lever operated, corrosion-resistant brass ball valve, equipped with standard 20 mesh filtering screen. 100% full port. Blow-out proof two-piece design. Made in Italy. 100% tested.

### Features

- Pressure rating: 150 WSP, 400 WOG
- Includes Jomars® tamper proof "Lift-N-Lock" pad-lock device.
- Shipped standard with 304 S.S. 20 mesh screen
- Double o-rings to prevent stem leakage

### Accessories

- 40, 60, 80 and 100 mesh screens are available
- Master lock scissor type 420

### Warrenty

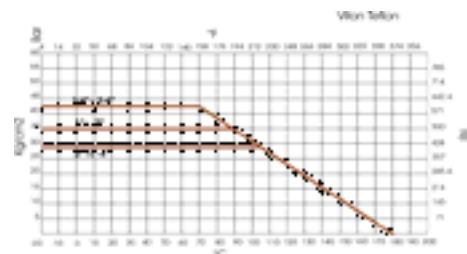
The Company, for a period of one year from the date of shipment, warrants each product or system of its own manufacture to the original purchaser to be free from defects in material and workmanship under normal use, service and maintenance.

Patent No. 5,188,335

#### Architect/Engineer approval

Job Name \_\_\_\_\_ Date \_\_\_\_\_  
Model Specified \_\_\_\_\_ Quantity \_\_\_\_\_  
Variations Specified \_\_\_\_\_  
Customer/Wholesaler \_\_\_\_\_  
Contractor \_\_\_\_\_  
Architect \_\_\_\_\_

TEMPERATURE / PRESSURE DIAGRAM



RECOMMENDED WORKING TEMPERATURE/ PRESSURE LIMIT

16 bar - 115°C - non shock  
10 bar - 150°C - non shock

Note: Information subject to change without notice.



Jomar International Ltd.  
7243 Miller Drive  
Warren, MI 48092  
Phone: 800-325-5690  
Fax: 800-628-4194  
www.jomar.com

© Copyright 2006 Printed in U.S.A.  
T-100FB  
0406

## Filter Ball® with “Lift-N-Lock” Locking Device



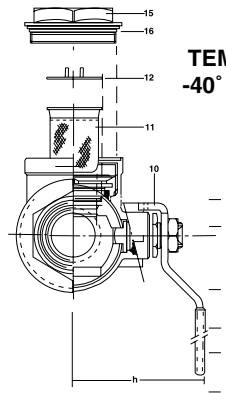
### Description

FilterBall® - 1/4 turn, lever operated, corrosion-resistant brass ball valve, equipped with standard 20 mesh filtering screen. 100% full port. Blow-out proof two-piece design. Made in Italy. 100% tested.

### Dimensions in Inches

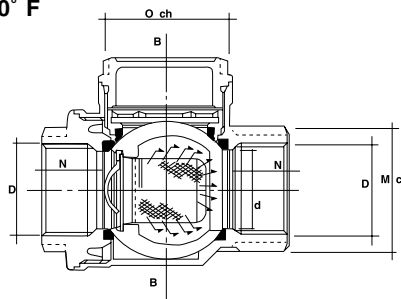
Computer No.	Valve Size	d	L	N	H	h	M HEX	O HEX	CV**
100-833LOCK	1/2"	.885	3.031	.0629	1.732	2.401	1.24	1.311	13.20
100-834LOCK	3/4"	0.885	3.031	0.688	1.732	2.401	1.24	1.311	13.20
100-835LOCK	1"	1.112	3.740	0.846	2.008	2.598	1.578	1.578	16.28
100-836LOCK	1-1/4"	1.397	4.370	0.925	2.362	3.228	1.933	1.933	39.63
100-837LOCK	1-1/2"	1.771	5.00	0.925	2.913	3.503	2.161	2.161	39.63
100-838LOCK	2"	2.204	6.062	1.102	3.543	4.724	2.685	2.685	74.85

Transversal section in non-operating position (closed) inspection or filter cleaning.

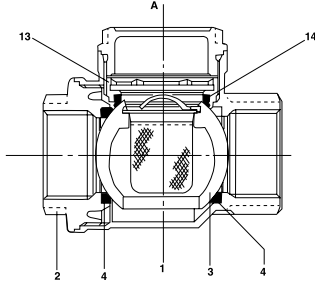


**TEMP. RANGE**  
-40° F to 300° F

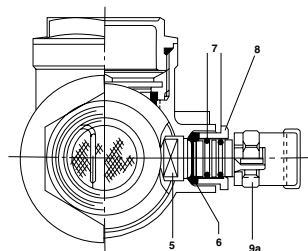
Longitudinal section in operating position (open) — The operating position can be turned 180°.



Longitudinal section in non-operating position (closed).



Transversal section in operating position (open).



### Material Specification

Item	Part Name	Material Specifications
1	Body	Forged Brass
2	End Connection	Forged Brass
3	Ball	Chrome Plated Brass
4	Seat	Virgin PTFE
5	Stem	Extruded Brass
6	Stem Packing	Virgin PTFE
7	O-rings	Non-Toxic Rubber Sh 70
8	Packing Nut	Extruded Brass
9	Handle Nut	Steel Dacromet Coated
10	Lever Handle	Dacromet Rugged Steel with PVC Grip
11	Filter Basket	S.S. AISI 304 20 Mesh Standard
12	Stop Ring	S.S. AISI 304
13	Safety Lock Nut	Forged Brass
14	Safety Seat	Virgin PTFE
15	Inspection Cap	Forged Brass
16	Safety O-ring	Non-Toxic Rubber Sh 70

### Pressure Rating

200 WOG

150WSP

300°F MAX. Temp.



**T-100 Filter Ball is made from corrosion resistant  
DEZINCIFIED Brass NDA CZ 132 BS 2874**

Note: Information subject to change without notice.



Jomar International Ltd.  
7243 Miller Drive  
Warren, MI 48092  
Phone: 800-325-5690  
Fax: 800-628-4194  
www.jomar.com

© Copyright 2006 Printed in U.S.A.  
T-100FB  
0406