



Medical Gas (Oxygen Cleaned, Bagged & Tagged) 3-Piece, 4-Bolt Ball Valve With Purge Port

Description

1/4 turn lever handle operated, Hot forged brass, 3-piece (swingout pattern), 4-bolt, full port ball valve with copper tube extension. 100% tested.

Features

- Latch lock handle, which can be locked in open or closed positions
- Purge/Guage port
- R.T.F.E. body seals/ seats
- Swingout pattern for easy maintenance
- Oxygen cleaned, bagged and tagged
- 100% Full port
- (2) "K" Copper tubing extensions silver brazed
- Pressure rating: 600 WOG / 150 WSP

Approvals

- Complies with NFPA-99C Standard

Accessories

- Also available without 1/8" Purge-Port (see S-650-CE-4B)

Warranty

The Company, for a period of one year from the date of shipment, warrants each product or system of its own manufacture to the original purchaser to be free from defects in material and workmanship under normal use, service and maintenance.



S-675-GP-4B

Architect/Engineer approval

Job Name _____ Date _____
Model Specified _____ Quantity _____
Variations Specified _____
Customer/Wholesaler _____
Contractor _____
Architect _____

Note: Information subject to change without notice.

Medical Gas

(Oxygen Cleaned, Bagged & Tagged)
**3-Piece, 4-Bolt Ball Valve
 With Purge Port**



Description

1/4 turn lever handle operated, Hot forged brass, 3-piece (swingout pattern), 4-bolt, full port ball valve with copper tube extension. 100% tested.

Dimensions in Inches

Computer No.	Valve Size	P	D	LxCxH	W	O
500-823	1/2"	5"	.59	2.64 1.81 2.87	17.50	
500-824	3/4"	5"	.79	2.95 2.44 4.67	17.50	
500-825	1"	5"	.99	3.46 2.56 4.67	19.00	
500-826	1-1/4"	6.5"	1.26	3.97 3.11 5.86	20.00	
500-507	1-1/2"	6.5"	1.50	4.45 3.27 5.86	23.50	
500-508	2"	6.5"	1.97	5.55 3.66 7.87	26.00	

O= Overall Length with (2) Copper Extensions Silver Brazed, in Inches

Material Specification

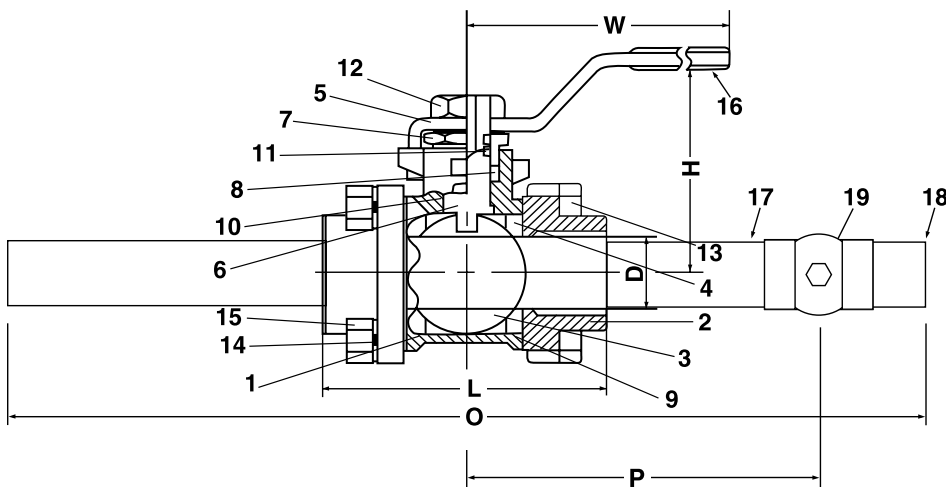
No.	Part Name	Materials	ASTM Spec
1	Body	Forged Brass	B 124 C37000
2	End Plug (2)	Forged Brass	B 124 C37000
3	Ball	Solid Brass/C.P.	B16C3600
4	Seat (2)	15% Fiberglass RTFE	Dupont
5	Reversible Handle w/Slip Loc™	Steel Nickel Plated	AZ9-1015
6	Stem	Brass	B16C3600
7	Stem Gland	Brass	B16C3600
8	Stem Seal	15% Fiberglass RTFE	Dupont
9	Body Seal (2)	15% Fiberglass RTFE	Dupont
10	Stem Washer	15% Fiberglass RTFE	Dupont
11	Stem O-Ring (2)	Viton*	D2000
11	Stem O-ring (2 optional)	Nitrile	D2000
12	Stem Nut	Steel Nickel Plated	AZ9-1015
13	Body Bolt (4)	Steel Nickel Plated	AZ9-1015
14	Spring Washer (4)	Steel Nickel Plated	AZ9-1015
15	Body Nut (4)	Steel Nickel Plated	AZ9-1015
16	Grip	Plastic	Vinyl
17	Copper Extensions	Typek	
18	End Plug (2)	Plastic	
19	Purge Port	Brass	

Viton is a registered trademark of DuPont Company

Pressure Rating

600 WOG

150 WSP



Note: Information subject to change without notice.



Jomar International Ltd.
 7243 Miller Drive
 Warren, MI 48092
 Phone: 800-325-5690
 Fax: 800-628-4194
 www.jomar.com

© Copyright 2006 Printed in U.S.A.
 S-675-GP-4B
 0406