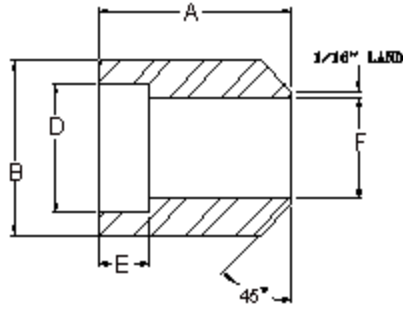


# Penn Machine

## Class 6000 Socket Welding Boss



PENN CATALOG F2002 FIG NO. 16022

Nominal Pipe Size	1/4	3/8	1/2	3/4	1	1-1/4	1-1/2	2
Dimension A	1-5/8	1-3/4	2	2	2	2	2	2
Dimension B	1	1-1/4	1-1/2	1-3/4	2-1/4	2-1/2	3	3-5/8
Dimension D	.560	.693	.859	1.071	1.335	1.682	1.922	2.410
Dimension E	7/16	7/16	1/2	9/16	5/8	11/16	3/4	7/8
Dimension F	.250	.359	.464	.612	.815	1.160	1.338	1.687
Approx. Wt. (lbs)	.140	.233	.510	.927	1.480	1.961	2.229	3.342

[Fitting catalog](#) | [Product catalog](#) | [Request quote/information](#) | [Home](#)

Web site created by Penn Machine. Send questions or comments to [James Friant](#).