

# 175-LWN



## Safe Ball® Lockwing Gas Service Ball Valve



ISO EN 9001:2000



175-LWN

### Description

The 175 LWN features Jomar's proven hot forged brass, 100% full port, maintenance free (no lubrication required), ball valve design.

### Features

**175-LWN** is available in a full range of sizes: 1/2" – 2"

**Insulated 175-LWIN** is available in 3/4", 1", & 1-1/4" sizes with an insulated union end. 3/4" is available with 3" extended male tailpiece.

### Approvals

Service designation 175 PSIG. Temperature range: -40°F to 366°F. Leak tested 1.5 times service designation.

- 100% full port
- Hostafon®-TFM 1600 Seats
- Tamper resistant lockwing cap
- Double Viton® Stem O-rings
- 100% leak tested
- CSA certified
- Meets or exceeds applicable part of DOT 192 and ANSI B16.33
- Threads conform to ANSI B1.20.1

### Options

- Brass or AGA painted gray finish
- Corrosion resistant TEA treatment

### Warranty

The Company, for a period of one year from the date of shipment, warrants each product or system of its own manufacture to the original purchaser to be free from defects in material and workmanship under normal use, service and maintenance.

Note: Information subject to change without notice.



Jomar International Ltd.  
7243 Miller Drive  
Warren, MI 48092  
Phone: 800-325-5690  
Fax: 800-628-4194  
www.jomar.com

© Copyright 2006 Printed in U.S.A.  
175-LWN  
0406

## Safe Ball® Lockwing Gas Service Ball Valve

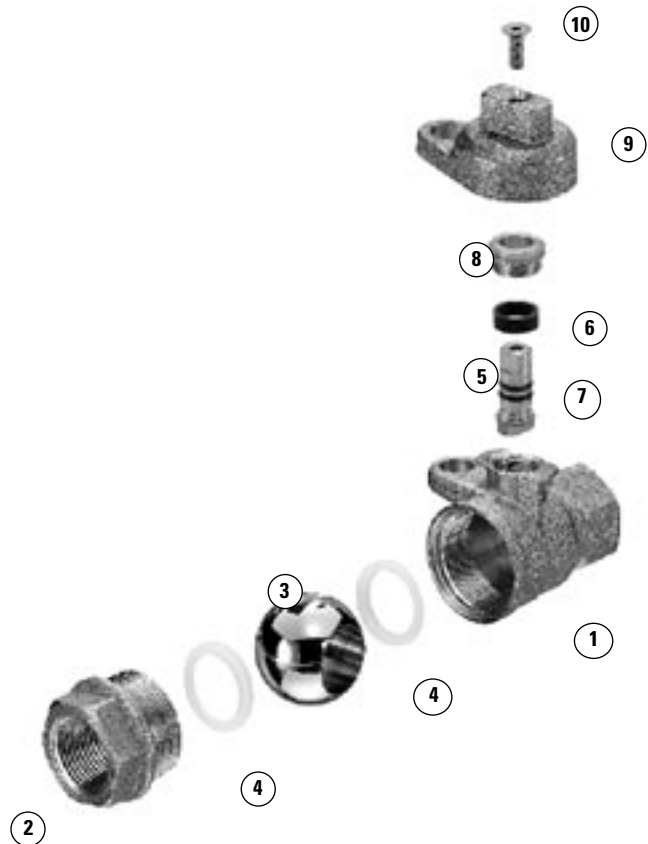
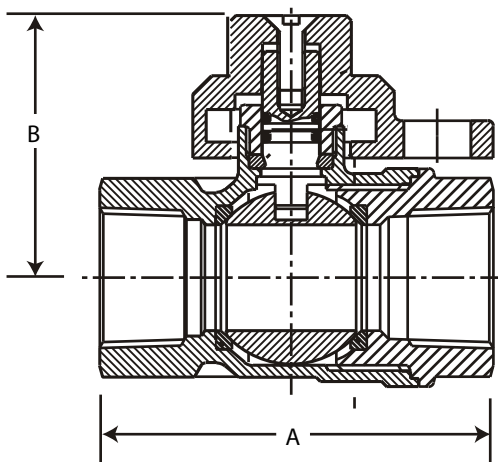
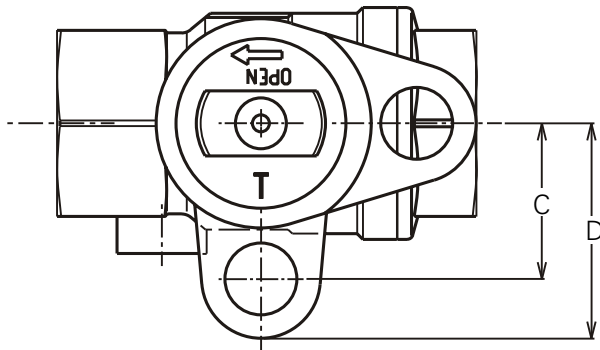


### Dimensions in Inches

Computer Number	Valve Size	A	B	C	D
240-003	1/2"	2.74	1.87	1.08	1.50
240-004	3/4"	2.91	1.87	1.08	1.50
240-005	1"	3.40	2.24	1.30	1.73
240-006	1-1/4"	3.82	2.46	1.50	1.93
240-007	1-1/2"	4.21	3.03	1.73	2.20
240-008	2"	5.00	3.33	2.05	2.52

### Material Specifications

No.	Part Name	Material
1	Body	Forged Brass
2	End Adapter	Forged Brass
3	Ball	Chrome Plated Forged Brass
4	Valve Seat (2)	Hostaflo®-TFM 1600
5	Stem	Extruded Brass
6	Stem Packing	Virgin PTFE
7	O-Ring (2)	Viton®
8	Gland Follower	Brass
9	Lock Wing Cap	Brass
10	Screw	304 Stainless Steel



Note: Information subject to change without notice.



Jomar International Ltd.  
7243 Miller Drive  
Warren, MI 48092  
Phone: 800-325-5690  
Fax: 800-628-4194  
www.jomar.com

© Copyright 2006 Printed in U.S.A.  
175-LWN  
0406