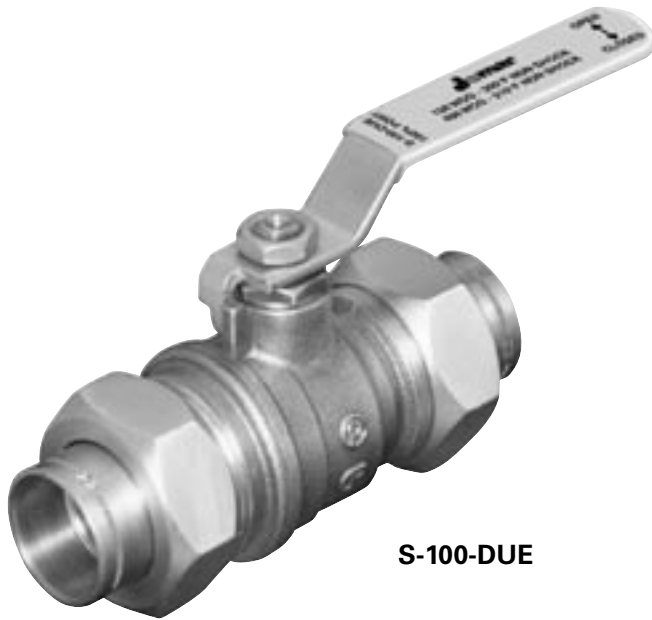


S-100-DUE



Double Union End Ball Valve

ISO EN 9001:2000



S-100-DUE

Description

1/4 turn, lever operated, corrosion resistant (CR) forged brass ball valve. 100% full port. Blow-out proof two-piece design with double union ends. Made in Italy. 100% tested in U.S.A.

Features

- Two-piece hot forged brass valve body
- Alloy NDA CZ 132-BS 2874
- Unions on inlet and outlet for quicker and easier installation
- Hostafion® TFM-1600 seats
- Double Viton® O-ring stem design
- Pressure rating: 400 WOG / 150 WSP
- Sweat connections

Accessories

- "Lift-N-Lock" locking device
- 2" Handle extension
- Lever and Round 304 stainless steel handles
- "Slo-Ball" Handle (for metering under high pressures)
- Red Painted Aluminum "T" Handle
- Pneumatic & Electric Actuation Available upon request

Warranty

The Company, for a period of one year from the date of shipment, warrants each product or system of its own manufacture to the original purchaser to be free from defects in material and workmanship under normal use, service and maintenance.

Architect/Engineer approval

Job Name _____ Date _____
Model Specified _____ Quantity _____
Variations Specified _____
Customer/Wholesaler _____
Contractor _____
Architect _____

Note: Information subject to change without notice.



Jomar International Ltd.
7243 Miller Drive
Warren, MI 48092
Phone: 800-325-5690
Fax: 800-628-4194
www.jomar.com

© Copyright 2006 Printed in U.S.A.
S-100-DUE
0406

Double Union End Ball Valve

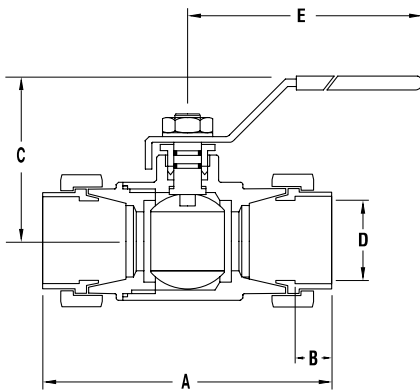


Description

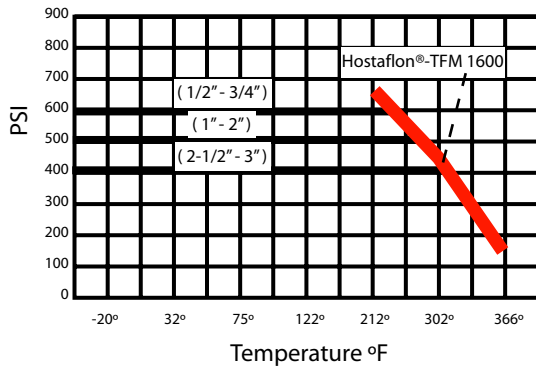
1/4 turn, lever operated, corrosion resistant (CR) forged brass ball valve. 100% full port. Blow-out proof two-piece design with double union ends. Made in Italy. 100% tested in U.S.A.

Dimensions in Inches

Computer No.	Valve Size	A	B	C	D	E
160-503	1/2"	3.58	.51	1.53	.63	2.95
160-504	3/4"	3.93	.61	1.92	.88	3.74
160-505	1"	4.72	.77	2.40	1.13	4.72
160-506	1-1/4"	5.27	.96	2.60	1.38	4.72
160-507	1-1/2"	5.74	1.06	3.22	1.63	5.90
160-508	2"	6.33	1.29	3.50	2.13	5.90

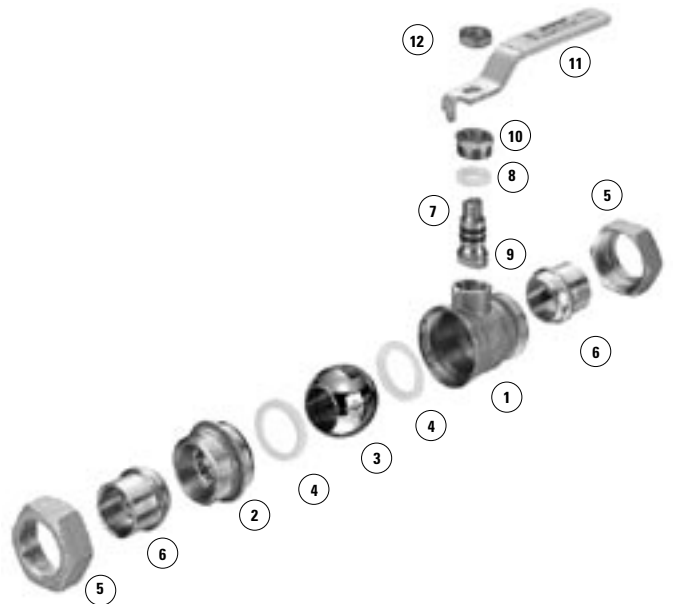


Valve Seat Rating



Material Specifications

No.	Part Name	Materials	
1	Body	Hot Forged Brass	NDA CZ132 BS 2874
2	End Adapter	Hot Forged Brass	NDA CZ132 BS 2874
3	Ball	Hard Chrome-plated Brass	
4	Seats (2)	Hostaflon®-TFM 1600	
5	Union Nuts (2)	Hot Forged Brass	NDACZ132 BS 2874
6	Solder End (2)	Extruded Brass	
7	Stem	Extruded Brass	NDACZ132 BS 2874
8	Stem Packing	Hostaflon®-TFM 1600	
9	O-Rings (2)	(2) Viton®	
10	Packing Gland	Extruded Brass	
11	Handle	Dacromet Coated Steel with PVC Grip	
12	Handle Nut	Dacromet Coated Steel	



Note: Information subject to change without notice.



Jomar International Ltd.
7243 Miller Drive
Warren, MI 48092
Phone: 800-325-5690
Fax: 800-628-4194
www.jomar.com

© Copyright 2006 Printed in U.S.A.
S-100-DUE
0406