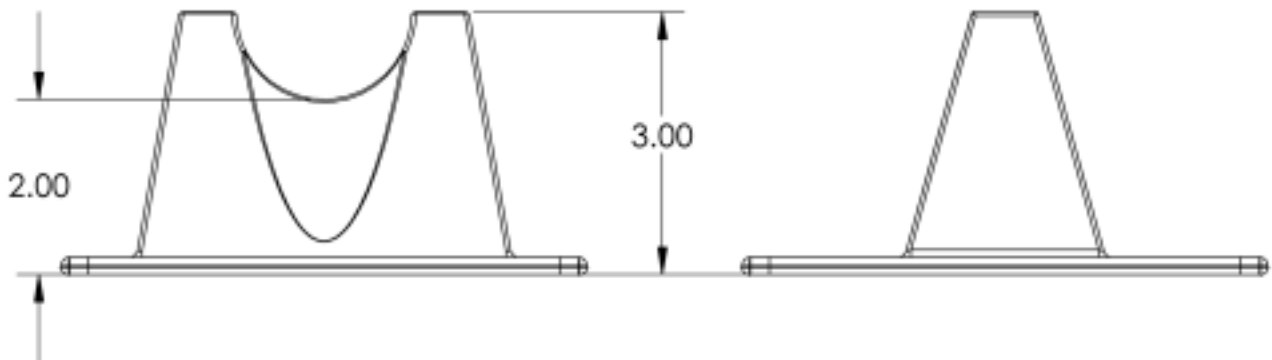
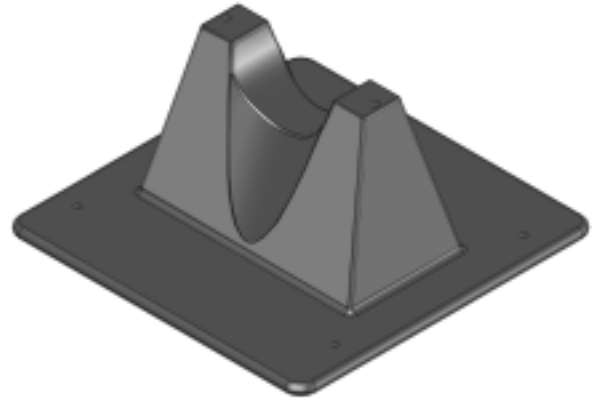
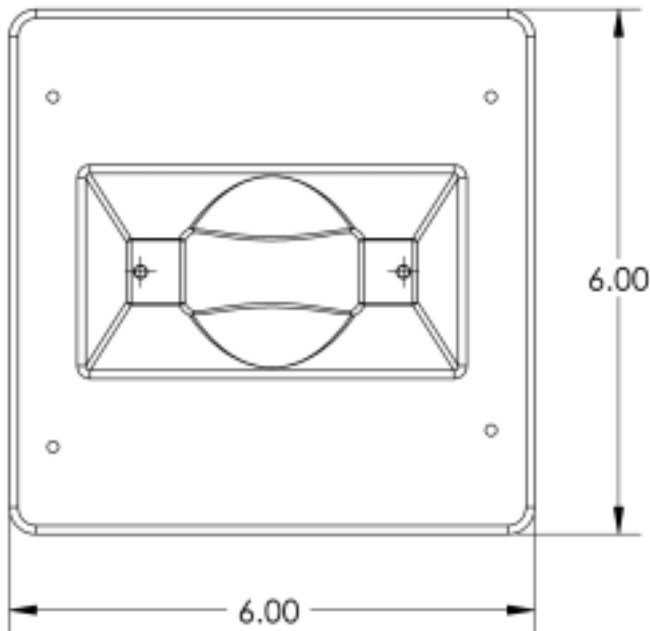


**Maximum Pipe Size:**  
1-1/2" Inside diameter  
1-9/10" Outside diameter

## Specification and Data Sheet

# MODEL NO. 1.5

- Product Name:** PILLOW BLOCK PIPESTAND MODEL NO. 1.5 **NOTE:** Pillowblock pipestand model numbers correspond to usual pipe names. Pipe that is called "inch and one-half" or 1-1/2" pipe has a 1.5" inside diameter and a larger outside diameter. Model 1.5 will hold all usual and customary 1-1/2" and smaller pipe sizes, referring to the inside diameter. The maximum outside dimension of the pipe or conduit the model 1.5 will hold is 1.90" diameter.
- Manufacturer:** MIRO INDUSTRIES, INC., 2700 South 900 West, Salt Lake City, Utah 84119      Phone (800) 768-6978  
Fax (800) 440-7958
- Product Description:** A pipe support used to support roof mounted gas pipes, electrical conduit, solar piping and other mechanical piping. Unique design absorbs thermal expansion and contraction of pipes thus preventing damage to the roof membrane. Pipes rest in a "U" shaped cradle situated in a polycarbonate resin seat. Each pipe stand will accommodate up to 1.5" inside diameter pipes. The maximum outside diameter of pipe which can be cradled in the Model 1.5 support is 1.9 inches.
- Product Performance:** The design of the cradle serves to keep the pipestand system directly beneath the pipe without binding. Guide holes are provided at the top of the cradle for any desired loose installation of a MIRO Pipe Strap using 1/2" #8 screws to prevent separation of the pipe from the support. The base is gently rounded to prevent gouging the roof membrane.
- Compatibility:** Pillow Block Pipestands are recommended and are compatible for use with all current types of decking and with all commonly used builtup and single-ply roofing membranes where roof-mounted pipes occur.
- Load Weight:** Maximum load weight may not exceed 80 lbs. per pipestand.
- Composition and Materials:** A one-piece roof deck base and "U" shaped housing. The pipestand is composed of rigid polycarbonate resin with carbon black added for UV resistance and protection.
- Size:** The Pillow Block Pipestand Model 1.5 is made in one standard size. The deck base is 6" square, the top of the "U" cradle is 3" high, and the maximum inside width of the cradle is 1.95". Pipes supported one pipestand high will have a clearance of 2" from bottom of pipe support. Model 1.5 Spacer can be stacked 2 or 3 high, to give greater height to pipe or conduit. Each stacking layer increases the clearance by 1.5".
- Installation:** To install the pillow block pipestands, (1) center the pipestand beneath the pipe so that the cradle allows the pipe to be square over and through the cradle of the pipestand. (2) Set the pipe in the pipestand without dropping or causing undue impact. If desired, an additional sheet of roofing material, a MIRO Support Pad, or a MIRO Deck Plate can be installed beneath the pipestand. For builtup roofs, all loose aggregate from an area 10" square should be removed from the area directly beneath the pipestand and then follow the installation directions set forth above. Care should be taken to install each pipestand so it supports a proportional and equal amount of weight with all other pipestands.  
  
OPTIONAL METHOD OF INSTALLATION (Not recommended): Where code requires or as desired, the pipestands may be attached to the roof by appropriate and compatible rooftop fasteners through holes then drilled in the bottom of the pipestand pitchpan.  
  
In addition, the pipe may be secured to the pipestand by using a MIRO Pipe Strap and #8 stainless steel screws in the guide holes at the top of each pipestand. Note: allow sufficient room between the pipe and the strap to provide for free movement of the pipe without binding.
- Spacing:** Manufacturer's recommended spacing is not to exceed 10 feet centers depending upon the load. Make certain each pipestand is properly elevated to even load weight at all pipestands.
- Availability:** Pillow Block Pipestands are marketed throughout the United States through representatives and distributors.
- Maintenance:** Normally maintenance is not required. Semi-annual inspection is required to check pipestand position and set pipe alignment, weight distribution, and improper installation which may cause pipestand damage or failure.
- Technical Services:** Please call MIRO INDUSTRIES, INC.: (800) 768-6978.  
[www.miroind.com](http://www.miroind.com) for technical information and for graphic and for CAD drawing downloads.



This document, attachments, and all of the information therein are the property of MIRO Industries, Inc. The information contained is loaned, subject to return upon demand, and is not to be used directly or indirectly in any way detrimental to our interest. Further, the information contained therein shall not be used, in whole or in part, except when allowed by written authorization from MIRO Industries, Inc.

Copyright MIRO Industries, Inc. 2003.

## 1.5 Pipe Support